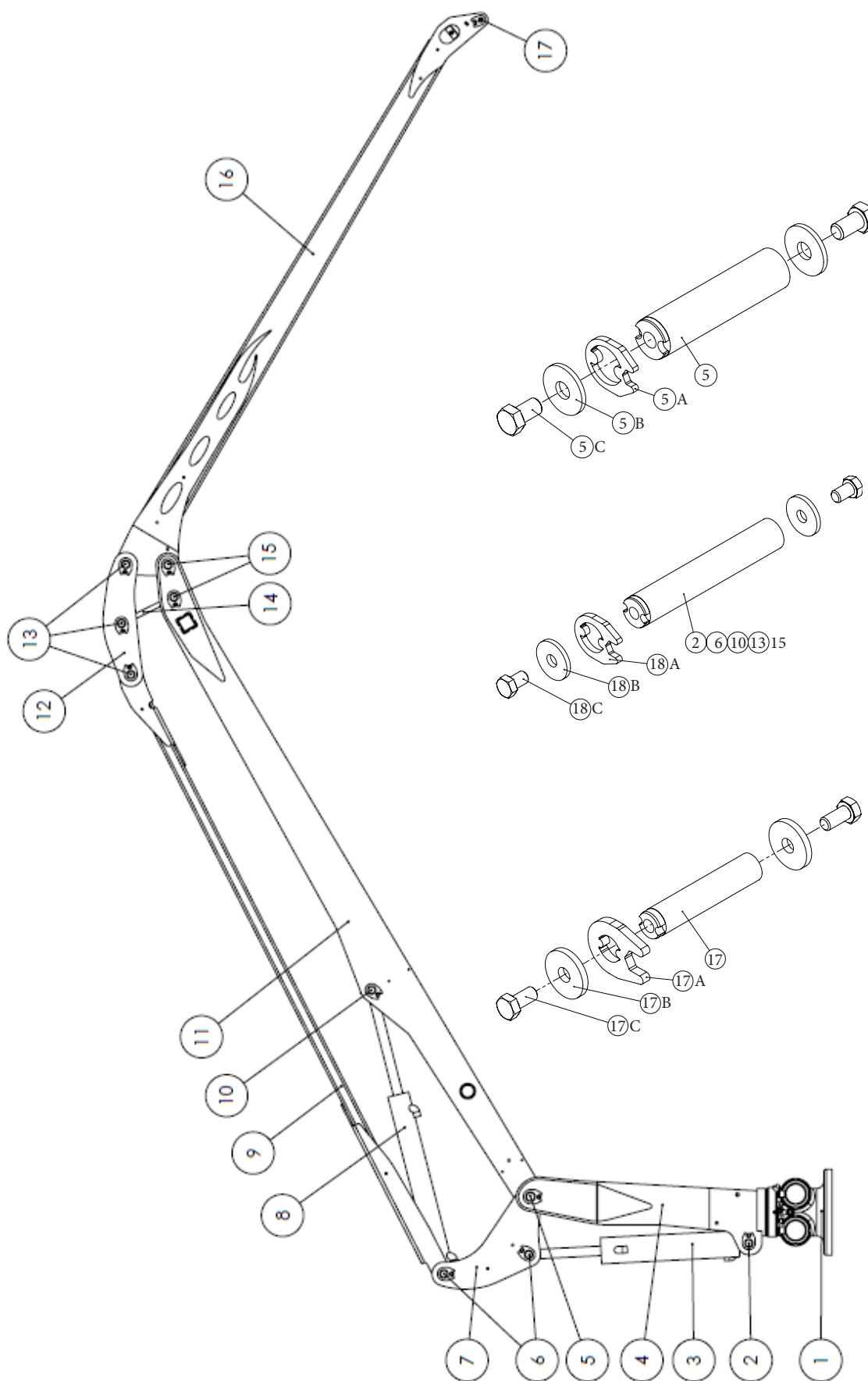


7**Reservdelar / Crane spare parts**

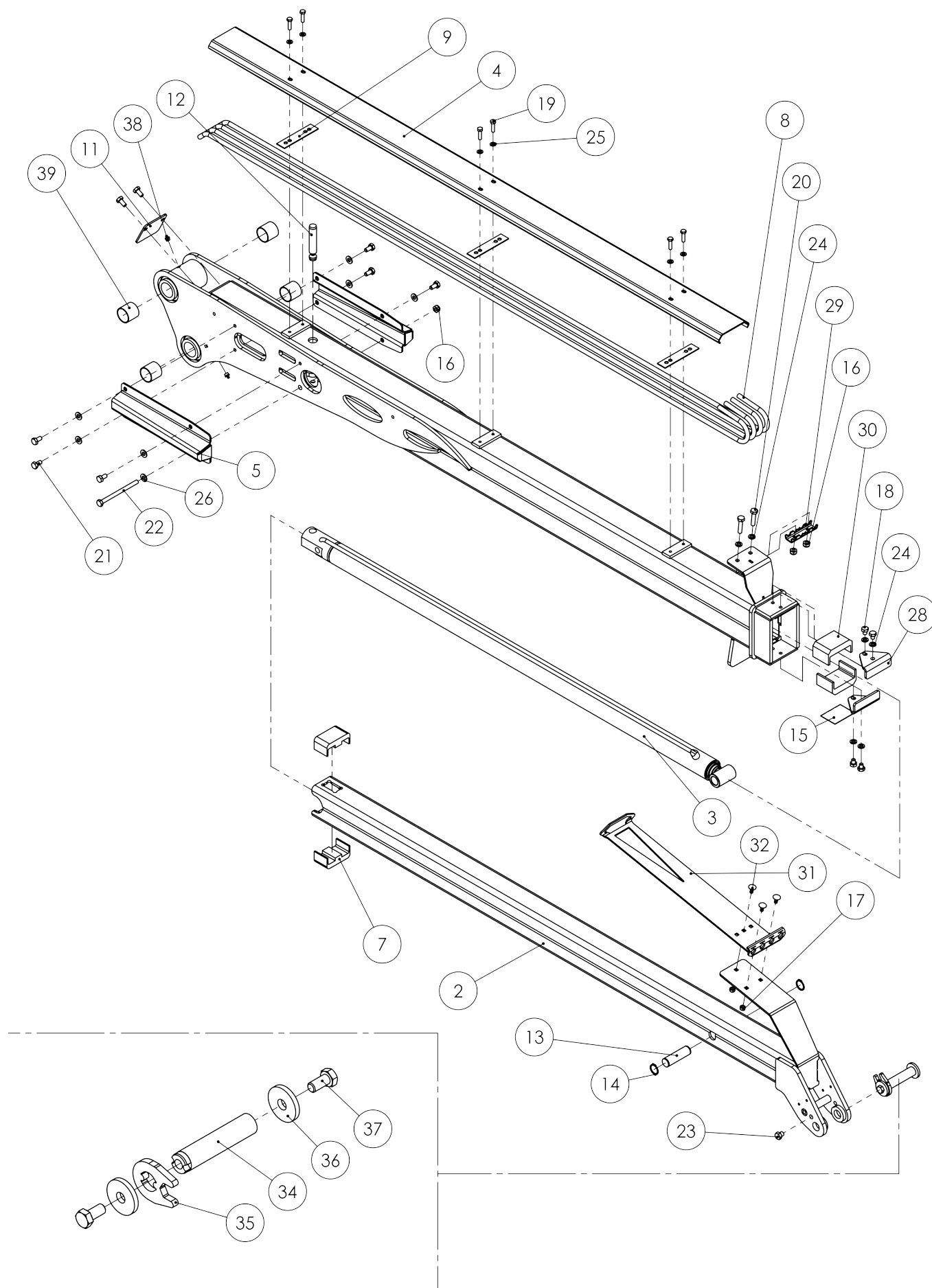
Ange detaljnummer, maskintyp och serienummer vid beställning av reservdelar, för att leverans av rätt detalj ska kunna ske. Maskintyp och serienummer framgår av försäkran eller typskylt.

When ordering spare parts, please state type and serial number to ensure that the correct parts are supplied. Type and serial number can be found in the Declaration of Conformity or to the typesign.



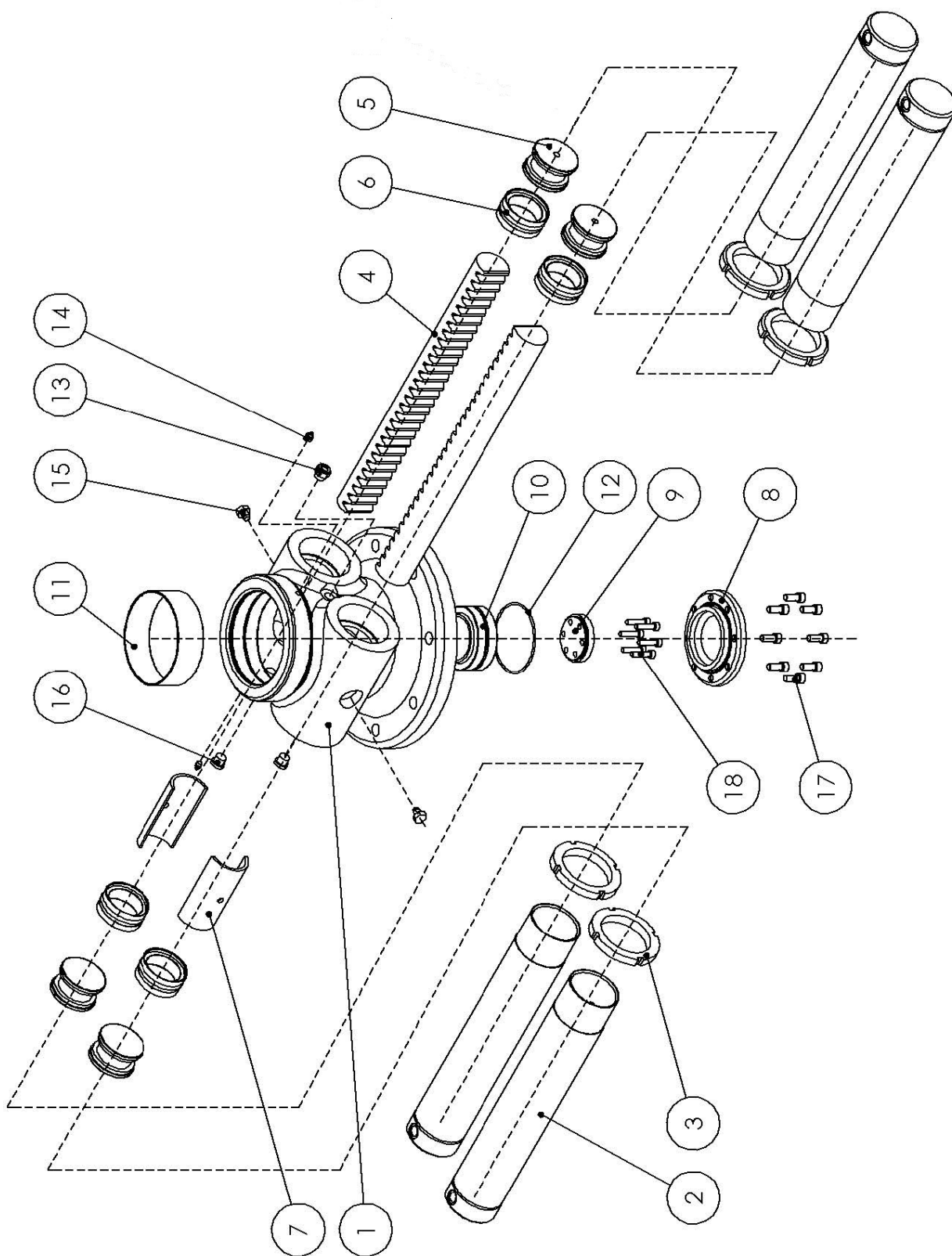
P30/31T Mekanik

Pos	Artikelnr Item No	Benämning	Description	Ant. Qty.	Anmärkning Notes
1	MB01140	Vridmotor	Slew assembly	1	38-6-4x40
2	AA2908	Axel	Pin	1	Ø40mm
	XLÅSB40	Låsbricka	Locking washer	1	
	XM6S16 25	Skruv	Bolt	1	M16x25
	XM6S 12 12	Skruv	Bolt	1	M12x12
	XPM 4040 DX	Bussning	Bushing	2	
3	AA2922	Lyftcylinder	Lifting cylinder	1	110/40x430
	XTS11040	Tätningssats	Seal kit		
4	AA1888	Pelare	Mast	1	
5	AA9791	Axel	Pin	1	Ø50mm
	XM6S 12 12	Skruv	Bolt	1	M12x12
	XPM 5050 DX	Bussning	Bushing	2	
5A	AA9228	Låsbricka	Locking washer	1	Ø50
5B	AA9232	Bricka	Washer	2	Ø50
5C	XM6S 16 25	Skruv	Bolt	2	M16 x25
6	AA9220	Axel	Pin	2	
	AA9806	Låsbricka	Locking washer	2	
	XM6S 12 12	Skruv	Bolt	2	
	XPM 4040 DX	Bussning	Bushing	2	Lift cylinder
	XPM 4020 DX	Bussning	Bushing	2	Supporting boom
7	AA1893-L AA1893-R	Lyftok	Lifting joint	1	Left/right
8	AA2925	Vikcylinder	Jib cylinder	1	80/40x575
	XTS 80 40	Tätningssats	Seal kit		
9	AA3030	Hjälpbom	Supporting boom	1	
10	AA9795	Axel	Pin	1	Ø40mm
	XM6S 12 12	Skruv	Bolt	1	M12x12
	XPM 4040 DX	Bussning	Bushing	2	
11	AA2731	Huvudbom	Main boom	1	
12	AA1877-L AA1877-R	Yttre länk	Outer knee joint link	1	Left/right
13	AA9799	Axel	Pin	3	Ø40mm
	XM6S 12 12	Skruv	Bolt	3	M12x12
	XPM 4040 DX	Bussning	Bushing	6	
14	AA1883	Inre länk	Inner link	1	
15	AA9154	Axel	Pin	2	Ø40mm
	AA9806	Shims	Shims	2	
	XM6S 12 12	Skruv	Bolt	2	M12x12
	XPM 4040 DX	Bussning	Bushing	4	
16	AA2743	Vipparm	Leveling boom	1	
17	AA9269	Axel	Pin	2	Ø25mm
17A	AA9162	Låsbricka	Locking washer	1	Ø25
17B	AA9163	Bricka	Washer	2	Ø25
17C	XM6S16 25	Skruv	Bolt	2	M12x20
	XM6S 12 12	Skruv	Bolt	1	M12x12
18A	AA9057	Låsbricka	Locking washer	9	
18B	AA9055	Bricka	Washer	18	
18C	XM6S16 25	Skruv	Screw	18	



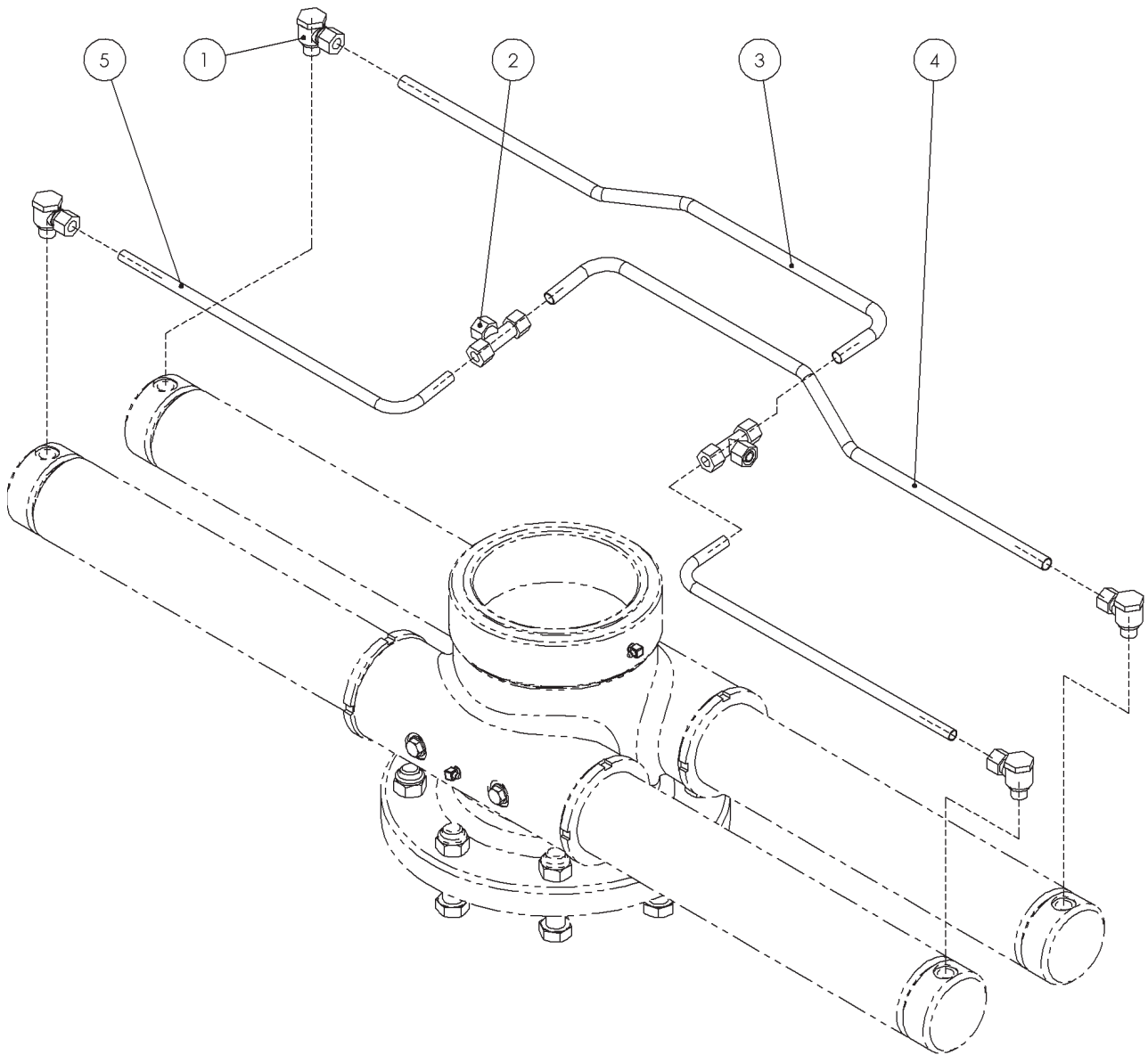
P30 Teleskopisk Vipparm - Mekanik / Telescopic Leveling Boom - Mechanics

Pos	Artikelnr. Item No	Beskrivning	Description	Antal QTY.	Anmärkning Notes
1	AA9724	Vipparm	Jib arm	1	
2	AA9253	Teleskopsarm	Telescope arm	1	
3	BA0060	Teleskopscylinder	Telescope cylinder	1	
	XTS 6030	Tätningssats	Sealing kit	1	
4	AA6212	Rörskydd	Tube cover	1	
5	AA9727	Kopplingskydd	Connection protection	2	
7	BA0014	Glidklack	Sliding pad	2	
8	AA6102	Hydraulrör	Hydraulic tubing	4	
9	AA1685	Gummi	Rubber	3	
10		Slanghållare	Hose clamp	1	
11	AA9730	Lock	Lid	1	
12	AA9731	Cylinderaxel	Cylinder pin	1	Vipp/Jib
13	BA0089	Cylinderaxel	Cylinder pin	1	Tele
14	XSGA25	Låsring	SGA	2	
15	XSKR55 1.0	Shims	Shims		1mm
15	XSKR55 0.5	Shims	Shims		0,5mm
16	XLÅSM10	Låsmutter	Locking nut	3	M10
17	XLÅSM 8	Låsmutter	Locking nut	3	M8
18	XM6S10 12	Skruv	Screw	4	M10x12
19	XM6S 8 30	Skruv	Screw	6	M8x30
20	XM6S10 45	Skruv	Screw	2	M10x45
21	XM6S10 20	Skruv	Screw	8	M10x20
22	XM6S10 140	Skruv	Screw	1	Cylinder lock M10x140
23	XM6S12 12	Skruv	Screw	1	M12x12
24	FBB10,2 18	Bricka	Washer	6	
25	XBRB16 84	Bricka	Washer	6	M8
26	XBRB22 105	Bricka	Washer	7	M10
27	XMC6S8 35	Skruv	Screw	2	M8 x35
28	BA0112	Glidklackshållare	Sliding pad holder	2	
29	BA0195	Rörhållare	Tube holder	1	
30	BA0013	Glidklack	Sliding pad	2	Front
31	BA4360	Bockhorn	Hose plate	1	
32	XMVBF 8 20	Vagnsbult	Coach bolt	3	M8x20
34	AA9269	Axel	Pin	1	Ø25
35	AA9162	Låsbricka	Locking washer	1	Ø25
36	AA9163	Bricka	Washer	2	Ø25
37	XM6S12 25	Skruv	Screw	2	M12x25
38	XSMNM10X15R	Smörjnippel	Grease nipple	2	
39	XPM 4040DX	Bussning	Bushing	4	



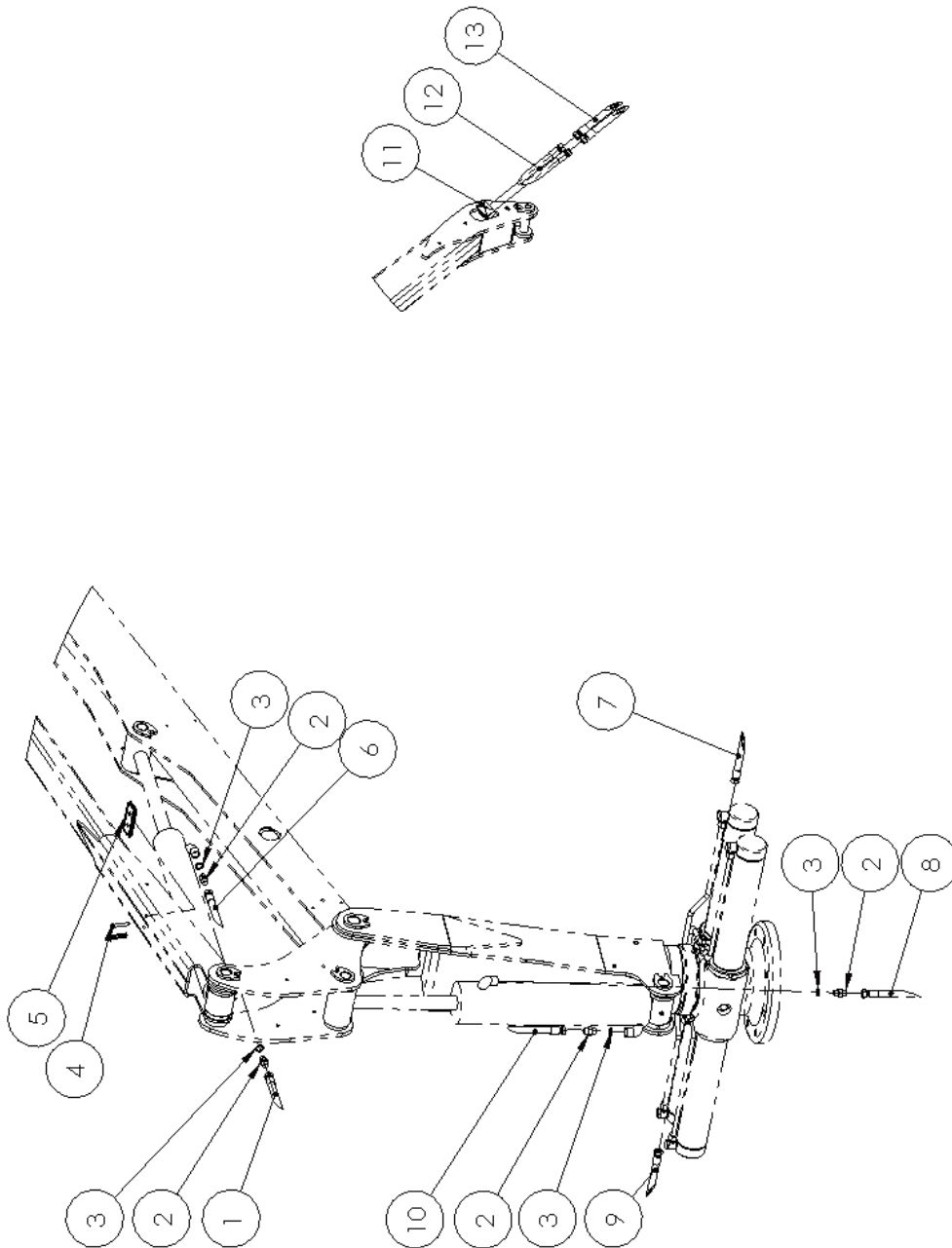
Vrm 38-6-4x80 Vridmotor Mekanik / Slew motor Mechanics

Pos	Artikelnr. Item No	Benämning	Description	Ant. QTY	Anmärkning Notes
1	MD12130	Vridmotorhus	Slew motor housing	1	
2	MD12362	Cylinderrör	Cylinder tube	4	D=90/80
3	XKM18	Låsmutter		4	KM 18
4	MD12210	Kuggstång	Rack	2	
5	AA5309	Kolv	Piston	4	D=80
6	XKT 806022	Tätning	Seal	4	80/60x22
7	MD12425	Lagerhalva	Bearing half	2	
8	MD12640	Bottenlock		1	
9	MD12622	Axellåsning		1	
10	XGE70ES	Ledlänklager		1	GE 70 ES
11	XFB09215050	WB 802	Bearing top	1	150x50, WB 802
12	XOR10950300	O-ring		1	109,50x3,00
13	W7571000030	Oljeöga		1	3/8"
14	XSMNMR8	Smörjnippel	Grease fitting	2	M8
15	MD12338	Smörjskruv	Grease screw	2	
16	W7012506010	Plugg		2	3/8"
17	XMC6S10 25	Insexskruv	Bolt	8	M10, L=25
18	XMC6S 8 35	Insexskruv	Bolt	8	M8, L=35



Vrm 38-6-4x80 Vridmotor Hydraulik / Slew motor Hydraulics

Pos	Artikelnr. Item No	Benämning	Description	Ant. QTY	Anmärkning Notes
1	W7013012111	Banjokoppling	Coupling	4	
2	W7011512111	T-koppling	T-coupling	2	
3	WHR12x15-12	Rör	Tube	1	
4	WHR12x15-13	Rör	Tube	1	
5	WHR12x15-11	Rör	Tube	2	



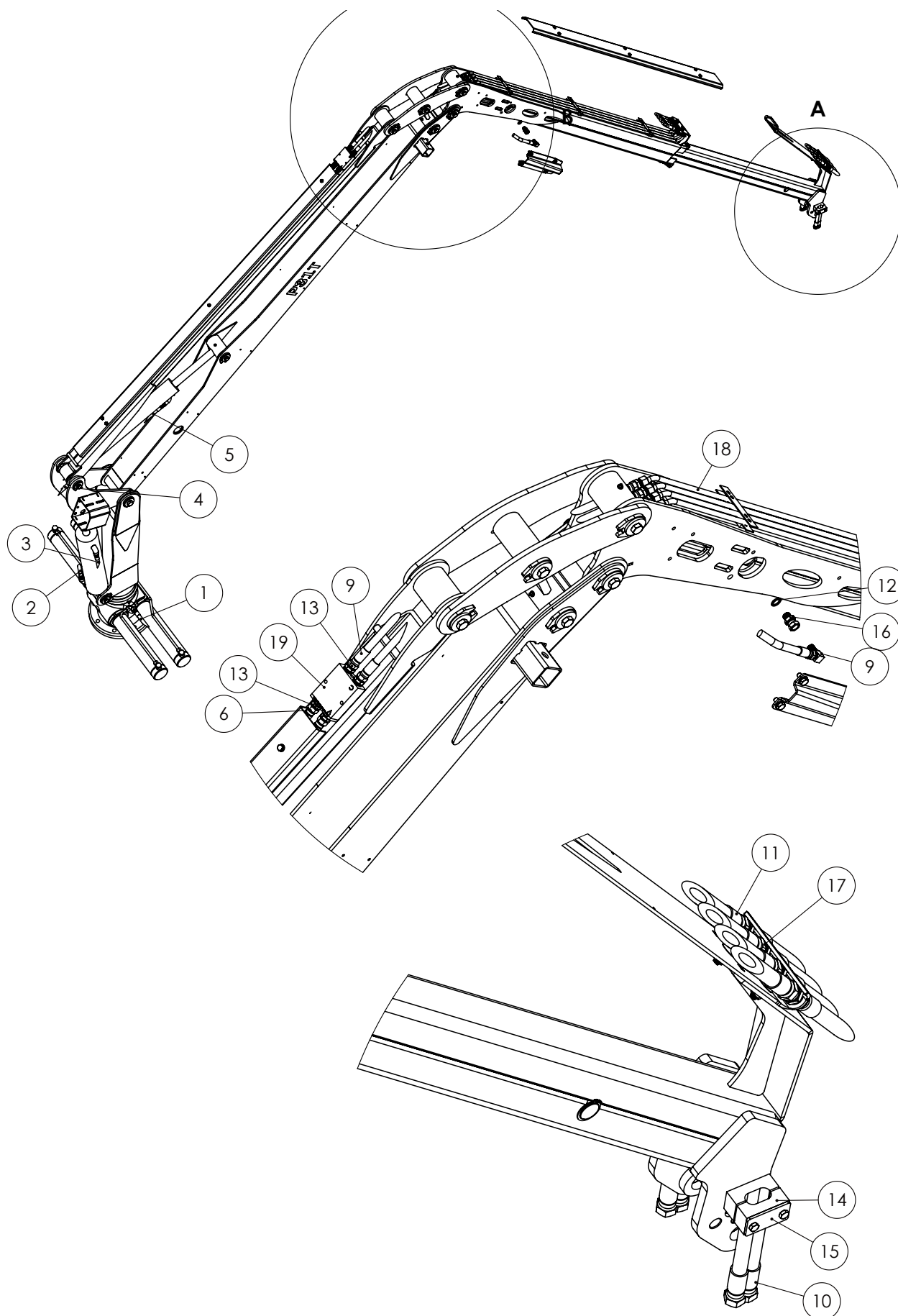
P30 Hydraulik multi lever / mech. 2-lever

Pos	Artikelnr Item No	Benämning	Description	Ant Qty	Anmärkning Notes
1	S33003	Slang	Hose	1	3/8" 3300 mm
2	W0301360606	Adapter	Adaptor	4	3/8"-3/8"
3	W4500000016	Tredobricka	Tredo washer	4	3/8"
4	XM6S 8 50	Skruv	Bolt	2	M8x50
5	AA3021	Slangklämma	Hose holder	1	
6	S39003	Slang	Hose	1	3/8" 3900 mm
7	S30003	Slang	Hose	1	3/8" 3000 mm
8	S26003	Slang	Hose	1	3/8" 2600 mm
9	S30003	Slang	Hose	1	3/8" 3000 mm
10	S26003	Slang	Hose	1	3/8" 2600 mm
11	W7790001616	Slanghållare	Hose holder	2	M6x40
	W7792000200	Täckplatta	Cover	2	
	XM6S 6 40	Skruv	Bolt	2	
12	S92501	Slang	Hose	4	3/8" 9250 mm
13	S 7005	Slang	Hose	4	3/8" 700 mm

P30 Hydraulik EHC/PCL

Pos	Detalj nr Item No	Benämning	Description	Ant Qty	Anmärkning Notes
1	S22003	Slang	Hose	1	3/8" 2200 mm
2	W0301360606	Adapter	Adaptor	4	3/8"-3/8"
3	W4500000016	Tredobricka	Tredo washer	4	3/8"
4	XM6S 8 50	Skruv	Bolt	2	M8x50
5	AA3021	Slangklämma	Hose holder	1	
6	S29003	Slang	Hose	1	3/8" 2900 mm
7	S 9005	Slang	Hose	1	3/8" 900 mm
8	S14003	Slang	Hose	1	3/8" 1400 mm
9	S 6005	Slang	Hose	1	3/8" 600 mm
10	S10203	Slang	Hose	1	3/8" 1020 mm
11	W7790001616	Slanghållare	Hose holder	2	M6x40
	W7792000200	Täckplatta	Cover	2	
	XM6S 6 40	Skruv	Bolt	2	
12	S82501	Slang	Hose	4	3/8" 8250 mm
11	S 7005	Slang	Hose	4	3/8" 700 mm

P31T Hydraulics



P31T Hydraulics

Komplett sats/ Complete set

Ventil	Valve	Item No
P31T med EHC/PCL, 8t vagn	P31T with EHC/PCL, 8t trailer	SM0361
P31T med flerspåk	P31T with multi lever	SM0362
P31T med lättvikt	P31T with Lightweight	SM0363
P31T med EHC/PCL, 10/12t vagn	P31T with EHC/PCL, 10/12t trailer	SM0364

P31T med EHC/PCL 8t vagn/ P31T with EHC/PCL, 8t trailer
SM0361

Pos	Artikelnr. Item No	Beskrivning/ Description	Antal QTY.	Anmärkn. Note	Position	Position
1	S 10505	3/8" (2) komp	2	1050 mm	Ventil-sväng	Valve-slew
2	S19003	3/8" (2) komp	1	1900 mm	Ventil-lyftcylinder	Valve-lift cylinder
3	S15203	3/8" (2) komp	1	1520 mm	Ventil-lyftcylinder	Valve-lift cylinder
4	S27003	3/8" (2) komp	1	2700 mm	Ventil-vikcylinder A	Valve-jib cylinder A
5	S34003	3/8" (2) komp	1	3400mm	Ventil-vikcylinder B	Valve-Jib cylinder B
6		3/8" (2) komp	2	5200 mm	Ventil-block teleskop	Valve-block telescope
7		3/8" (2) komp	2	6200 mm	Grip	Grapple
8		1/4" (2) komp	2	6200 mm	Rotator	Rotator
9		3/8" (2) komp	2	1300 mm	Block-Teleskop	Block-telescope
10		3/8" (2) komp	4	920 mm	Nos	Nose
11		3/8" (2) komp	4	1800 mm	Vipprör-teleskop	Jib tube - telescope
12	W4500000016	Tredo	4			
13	W0301360606	Adapter	4			
14	53900916	Rörhållare/ Tube holder	4		Nos	Nose
15	53917501	Täckplatta 16 mm	2	2 bult/2 bolt Tvilling/Twin	Nos	Nose
16	7204-06-04	Adapter	2		Teleskop-cylinder	Telescopic cylinder
17	W0312600606	Skottgenomg./ bulkhead	4			
18	AA6102	Hydraulrör/ tube	4		Vipparm	Jib arm
19	KA1119	Hydr. Block	1		Hjälpbom	Support arm

P31T med flerspåk/ P31T with multi lever

SM0362

Pos	Artikelnr. Item No	Beskrivning/ description	Antal QTY.	Anmärkn. Note	Position	Position
1	S30003	3/8" (2) komp	2	3000 mm	Ventil-sväng	Valve-slew
2/3	S26003	3/8" (2) komp	1	2600 mm	Ventil-lyftcylinder	Valve-lift cylinder
4	S33003	3/8" (2) komp	1	3300 mm	Ventil-vikcylinder A	Valve-jib cylinder A
5	S39003	3/8" (2) komp	1	3900 mm	Ventil-vikcylinder B	Valve-jib cylinder B
6		3/8" (2) komp	2	5700 mm	Ventil-block teleskop	Valve-block telescope
7		3/8" (2) komp	2	6700 mm	Grip	Grapple
8		1/4" (2) komp	2	6700 mm	Rotator	Rotator
9		3/8" (2) komp	2	1300 mm	Block-teleskop	Block-telescope
10		3/8" (2) komp	4	920 mm	Nos	Nose
11		3/8" (2) komp	4	1800 mm	Vipprör-teleskop	Jib tube - telescope
12	W4500000016	Tredo	4			
13	W0301360606	Adapter	4			
14	53900916	Rörhållare/ Tube holder	4		Nos	Nose
15	53917501	Täckplatta 16 mm	2	2 bult/2 bolt Tvilling/Twin	Nos	Nose
16	7204-06-04	Adapter	2		Teleskop-cylinder	Telescope cylinder
17	W0312600606	Skottgenomg./ bulkhead	4			
18	AA6102	Hydraulrör/ tube	4		Vipparm	Jib arm
19	KA1119	Hydr. block	1		Hjälpbom	Support arm

P31T med lättvikt/ P31T with lightweight
SM0363

Pos	Artikelnr. Item No	Beskrivning/ Description	Antal QTY.	Anmärkn. Note	Position	Position
1	S 10505	3/8" (2) komp	2	3000 mm	Ventil-sväng	Valve-slew
2/3	S19003	3/8" (2) komp	2	2600 mm	Ventil-lyftcylinder	Valve-lift cylinder
4	S27003	3/8" (2) komp	1	3150 mm	Ventil-vikcylinder A	Valve-jib cylinder A
5	S34003	3/8" (2) komp	1	3750 mm	Ventil-vikcylinder B	Valve-Jib cylinder B
6		3/8" (2) komp	2	5300 mm	Ventil-block teleskop	Valve-block telescope
7		3/8" (2) komp	2	6300 mm	Grip	Grapple
8		1/4" (2) komp	2	6700 mm	Rotator	Rotator
9		3/8" (2) komp	2	1300 mm	Block-Teleskop	Block-telescope
10		3/8" (2) komp	4	920 mm	Nos	Nose
11		3/8" (2) komp	4	1800 mm	Vipprör-teleskop	Jib tube - telescope
12	W4500000016	Tredo	10			
13	W0301360606	Adapter	10			
14	53900916	Rörhållare/ Tube holder	4		Nos	Nose
15	53917501	Täckplatta 16mm	2	2 bult/2 bolt Tvilling/Twin	Nos	Nose
16	7204-06-04	Adapter	2		Teleskop-cylinder	Telescope cylinder
17	W0312600606	Skottgenomg./ bulkhead	4			
18	AA6102	Hydraulrör/ tube	4		Vipparm	Jib arm
19	KA1119	Hydr. block	1		Hjälpbom	Support arm

P31T med EHC/PCL, 10/12t vagn/ P31T with EHC/PCL, 10/12t trailer

SM0364

Pos	Artikelnr. Item No	Beskrivning/ description	Antal QTY.	Anmärkn. Note	Position	Position
1	S 12005	3/8" (2) komp	2	1200 mm	Ventil-sväng	Valve-slew
2	S19003	3/8" (2) komp	1	1900 mm	Ventil-lyftcylinder	Valve-lift cylinder
3	S19003	3/8" (2) komp	1	1900 mm	Ventil-lyftcylinder	Valve-liftcylinder
4	S27003	3/8" (2) komp	1	2700 mm	Ventil-vikcylinder A	Valve-jib cylinder A
5	S34003	3/8" (2) komp	1	3400 mm	Ventil-vikcylinder B	Valve-Jib cylinder B
6		3/8" (2) komp	2	5200 mm	Ventil-block teleskop	Valve-block telescope
7		3/8" (2) komp	2	6200 mm	Grip	Grapple
8		1/4" (2) komp	2	6200 mm	Rotator	Rotator
9		3/8" (2) komp	2	1300 mm	Block-teleskop	Block-telescope
10		3/8" (2) komp	4	920 mm	Nos	Nose
11		3/8" (2) komp	4	1800 mm	Vipprör-teleskop	Jib tube - telescope
12	W4500000016	Tredo	4			
13	W0301360606	Adapter	4			
14	53900916	Rörhållare/ Tube holder	4		Nos	Nose
15	53917501	Täckplatta 16 mm	2	2 bult/2 bolt Tvilling/Twin	Nos	Nose
16	7204-06-04	Adapter	2		Teleskop-cylinder	Telescope cylinder
17	W0312600606	Skottgenomg./ bulkhead	4			
18	AA6102	Hydraulrör/ tube	4		Vipparm	Jib arm
19	KA1119	Hydr. block	1		Hjälpbom	Support arm