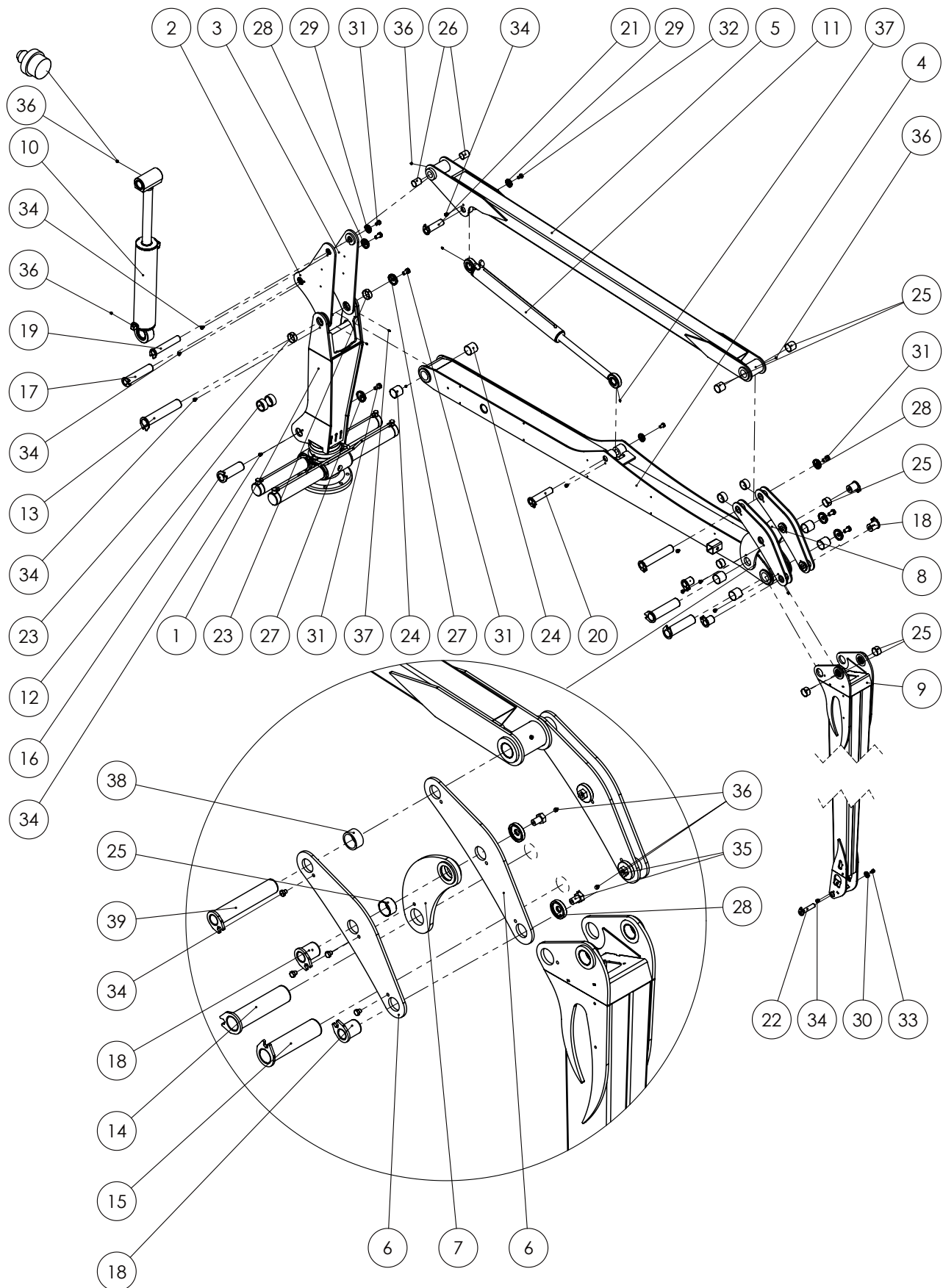


7 Reservdelar Kran / Crane Spare Parts

Ange detaljnummer, maskintyp och serienummer vid beställning av reservdelar, för att leverans av rätt detalj ska kunna ske. Maskintyp och serienummer framgår av försäkran eller typskylt.

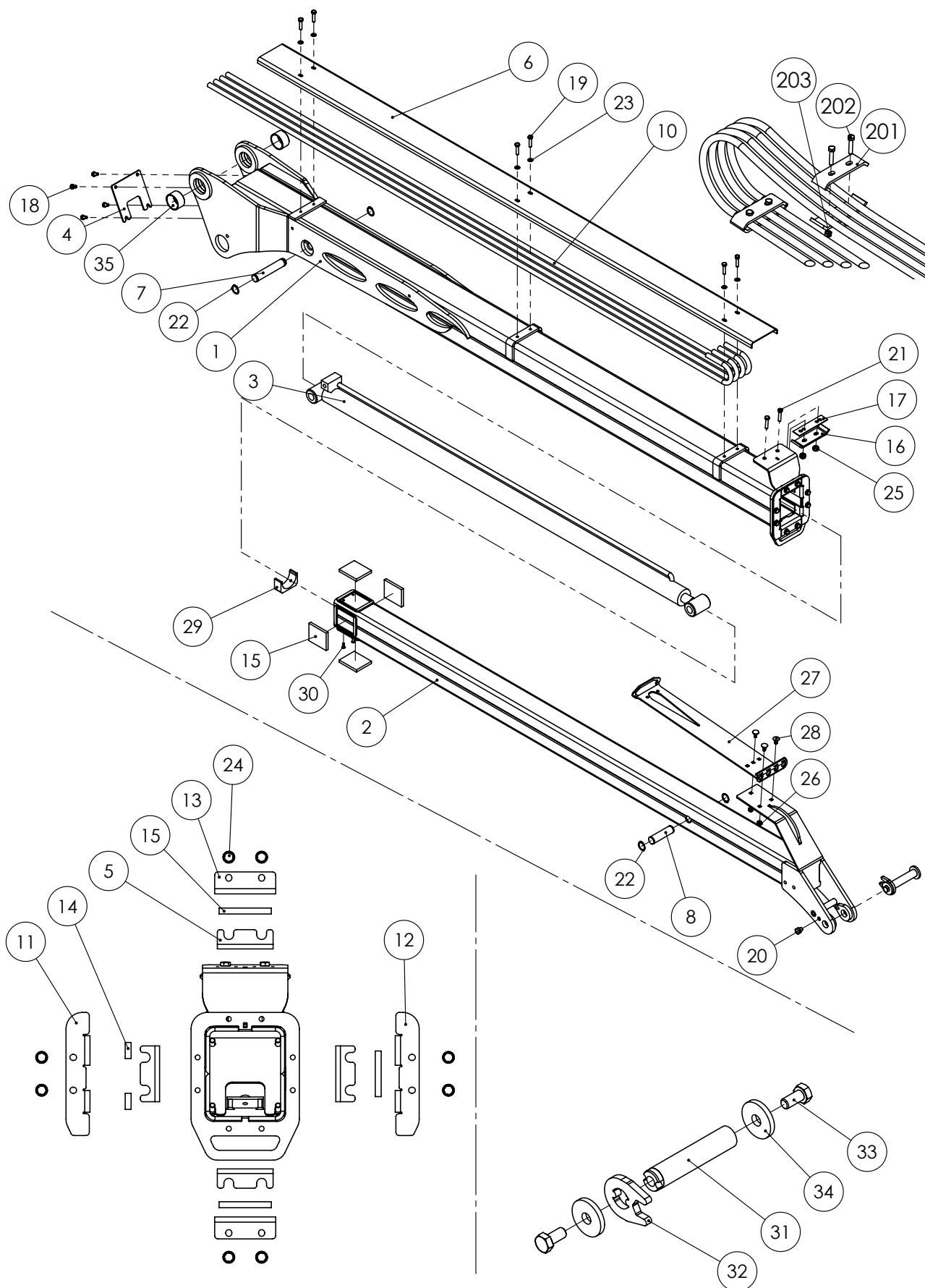
When ordering spare parts, please state type and serial number to ensure that the correct parts are supplied. Type and serial number can be found in the Declaration of Conformity or to the typesign.



P41 Mekanik / Mechanics

Pos.	Artikelnr. Item No	Benämning	Description	Ant. QTY	Anmärkning Notes
1	AA7022	Vrm + Pelare P40	Slew assembly	1	
2	AA6871	Lyftok, höger	Lifting joint, right	1	
3	AA6871	Lyftok, vänster	Lifting joint, left	1	
4	AA7026	HVB P41	Main boom P41	1	
5	AA8726	HJB P41	Supporting boom	1	
6	AA6714	Yttre länk	Outer knee joint link	4	
7	AA6722	Inre länk, höger	Inner knee joint link, right	1	
8	AA6722	Inre länk, vänster	Inner knee joint link, left	1	
9	AA6960	Vipparm	Leveling boom	1	
10	AA6943	Lyftcylinder	Lifting cylinder	1	
11	MB21388	Vippcylinder	Jib cylinder	1	
12	AA7044	Distansring	Spacer ring	2	
13	AA9812	Axel 60 x305	Pin 60 x 305	1	
14	AA9814	Axel 60 x 233	Pin 60 x 233	1	
15	AA9822	Axel 60 x 225	Pin 60 x 225	1	
16	AA9810	Axel 60 x175	Pin 60 x 175	1	
17	AA9818	Axel 50 x 227	Pin 50 x 227	1	
18	AA9820	Axel 50 x 53	Pin 50 x 53	4	
19	AA9816	Axel 40 x 227	Pin 40 x 227	1	
20	AA9150	Axel 40 x 178	Pin 40 x 178	1	
21	AA9793	Axel 40 x 141	Pin 40 x 141	1	
22	AA9156	Axel 25 x112	Pin 25 x 112	1	
23	XPM 6023DX	Bussning	Bushing	2	
24	XPM 6060DX	Bussning	Bushing	6	
25	XPM 5030DX	Bussning	Bushing	6	
26	XPM 4050DX	Bussning	Bushing	2	
27	AA9644	Låsbricka Ø60	Locking washer Ø60	4	
28	AA9228	Låsbricka Ø50	Locking washer Ø50	3	
29	AA9057	Låsbricka Ø40	Locking washer Ø40	3	
30	AA9162	Låsbricka Ø25	Locking washer Ø25	1	
31	XM6S 2035	Skruv	Bolt	12	M20x35
32	XM6S16 25	Skruv	Bolt	6	M16x25
33	XM6S 1220	Skruv	Bolt	2	M12x20
34	XM6S12 12	Skruv	Bolt	15	M12x12
35	XÖM6S16 20	Försänkt smörjskruv	Countersunk lubric. bolt	4	M16x20
36	XSMNM10X1R	Smörjnippel	Grease nipple	14	M10x1 Rak/ Straight
37	XSMNM8R	Smörjnippel	Grease nipple	4	M8 Rak/Straight
38	AA8721	Distansrör	Spacer	2	
39	AA9824	Axel 50 x 266	Pin 50 x 266	1	
27	AA9645	Axel bricka	Pin washer	8	Ø60
28	AA9228	Axel bricka	Pin washer	6	Ø50
29	AA9055	Axel bricka	Pin washer	6	Ø40
30	AA9163	Axel bricka	Pin washer	2	Ø25

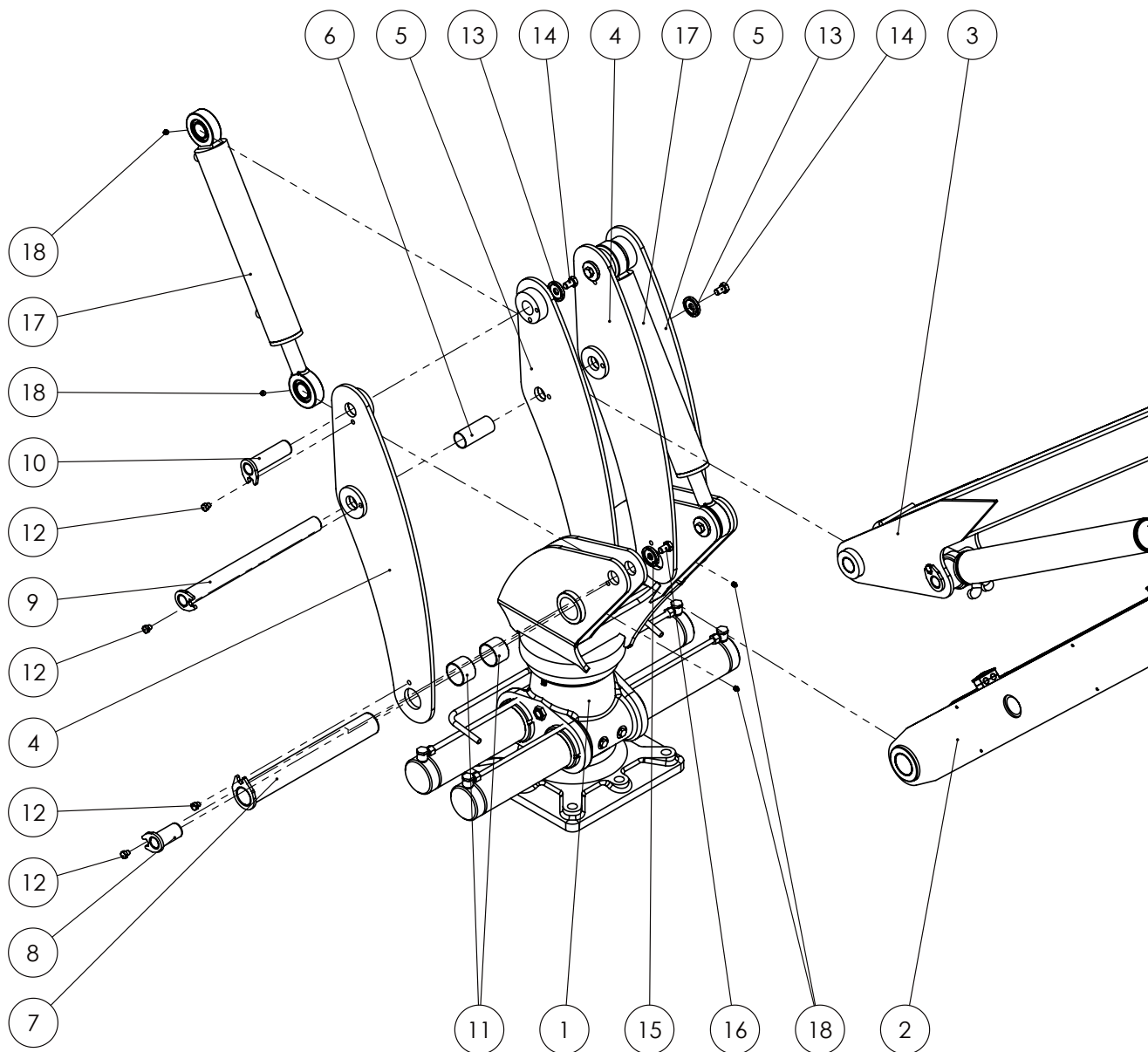
P41T Mekanik Vipparm - Teleskop / Mechanics Leveling boom - Telescope



P41T Mekanik Vipparm - Teleskop / Mechanics Leveling boom - Telescope

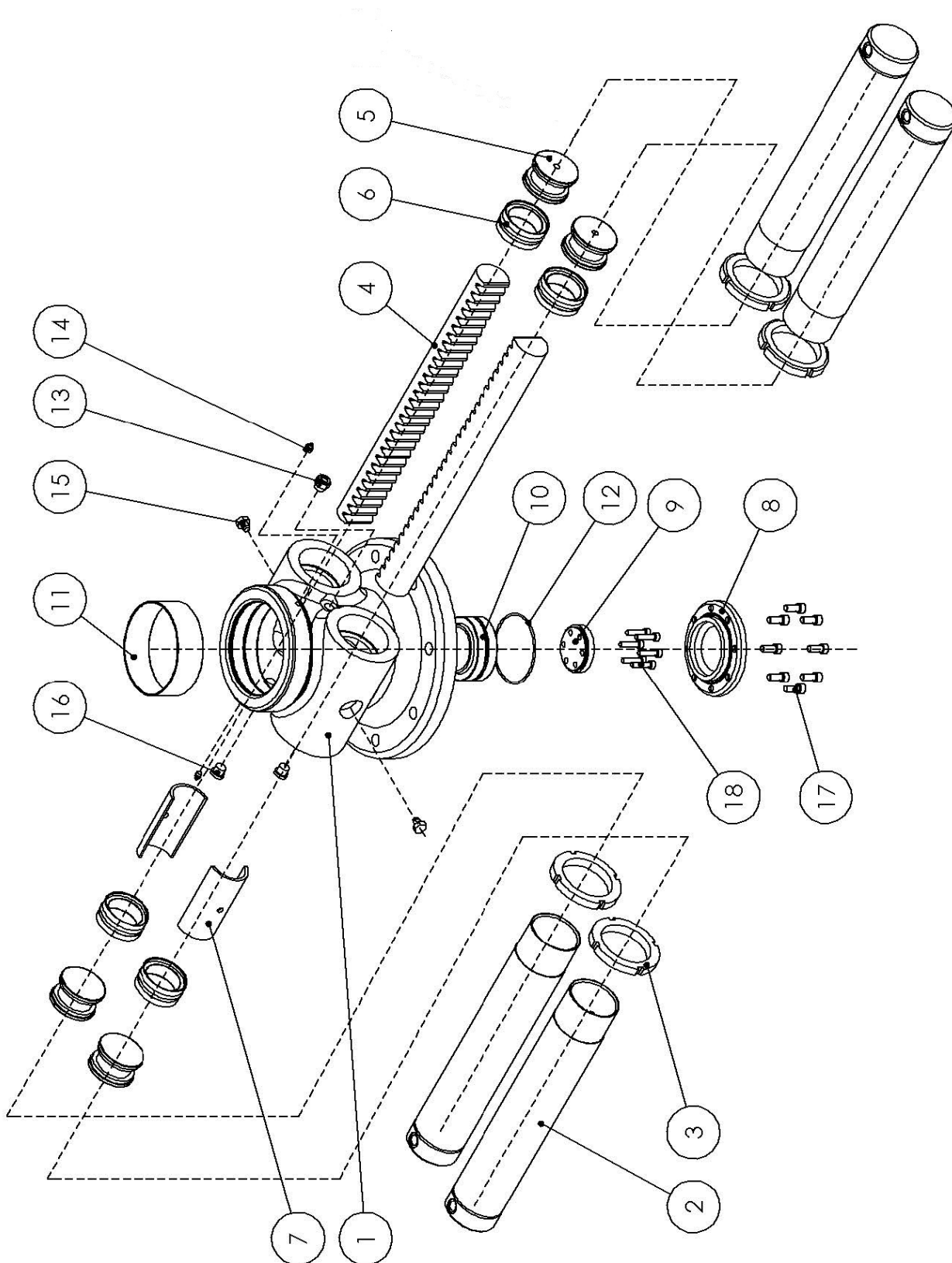
Pos	Artikelnr. Item No	Beskrivning	Description	Antal QTY.	Anmärkning Notes
1	AA9784	Vipparm	Jib arm		
2	BA4612	Teleskoparm	Telescope arm		
3	AA147937	Teleskopcylinder	Telescope cylinder		
3	XTS 5030	Tätningssats	Sealing kit		
4	AA8945	Täcklock	Hatch		
5	AA1652	Shims	Shims		
5	AA1725	Shims	Shims		
6	AA6935	Rörskydd	Tube protection		
7	AA7031	Teleskopaxel	Telescope pin		
8	BA0419	Teleskopaxel	Telescope pin		
9	AA9164				
10	AA6944	Hydraulrör	Hydraulic tube		
11	BA3090-R	Glidklackshållare H	Sliding pad holder R		
12	BA3090-L	Glidklackshållare V	Sliding pad holder L		
13	BA0357	Glidklackshållare Ö/U	Sliding pad holder O/U		
14	AA145337	Glidklack liten	Sliding pad S		
15	AA145237	Glidklack stor	Sliding pad L		
16	AA1512	Rörklamma	Tube clamp		
17	AA1685	Skydd hydraulrör	Rubber		
18	XM6S 8 16	Skruv	Screw		
19	XM6S 8 35	Skruv	Screw		
21	XM6S12 12	Skruv	Screw		
22	XSGA 25	Låsring	Locking washer		
23	XBRB1684	Bricka	Washer		
24	XM6S 8 20	Skruv/självpresande	Screw/ self thread		
25	XLÅSM10	Mutter	Nut		
26	XLÅSM 8	Mutter	Nut		
27	BA4360	Nos brygga	Nose bridge		
28	XMVBF 8 20	Vagnsbult	Bolt		
29	BA2576	Knäckskydd	Break protection		
30	XMF6S6 16	Skruv	Screw		
31	AA9156	Axel	Pin		
32	AA9165	Låsbricka	Locking washer		
33	XM6S12 25	Skruv	Screw		
34	AA9163	Bricka	Washer		
201	AA1512	Slanghållare	Hose bracket	4	
202	XM6S8 40	Skruv	Screw	4	
203	XLÅSM 8	Låsmutter	Locking nut	M8	

P40 Mekanik Låg pelare - Mechanics Low pillar



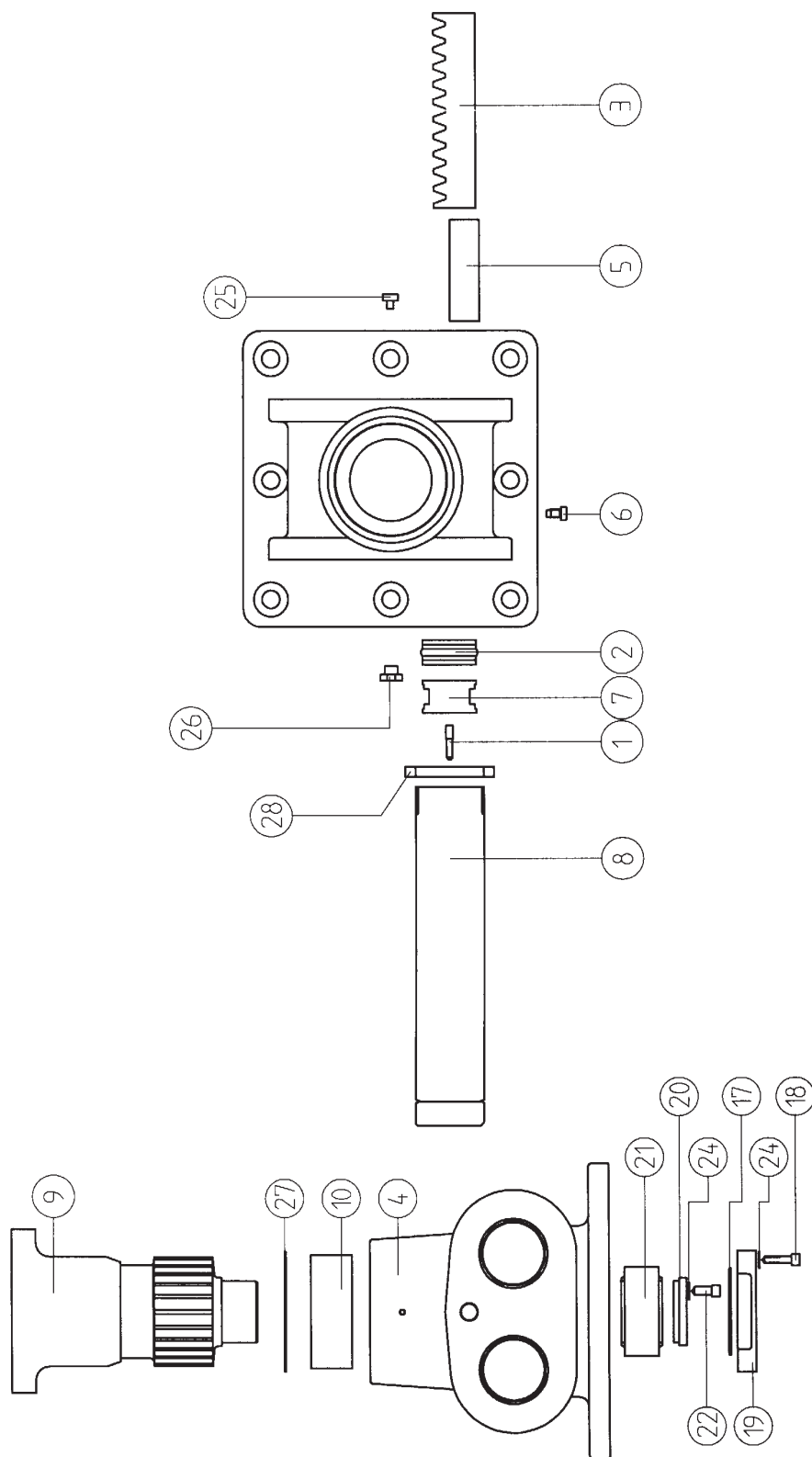
P40 Mekanik Låg pelare - Mechanics Low pillar

Pos	Artikelnr. Item No	Beskrivning	Description	Antal QTY.	Anmärkning Notes
1	AA7177	Pelare 55XX	Pillar 55XX		
1	AA7130	Pelare 38XX	Pillar 38XX		
2	AA7314	Lyftarm	Main boom	1	
3	AA8718	Hjälpbom	Supporting boom	1	
4	AA7137-R	Ok, höger	Lifting joint, right	2	
5	AA7137-L	Ok, vänster	Lifting joint, left	2	
6	AA7152	Distansrör	Spacer	2	
7	AA7149	Axel	Pin	1	Ø60
8	AA7151	Axel	Pin	2	Ø40
9	AA7145	Axel	Pin	1	Ø40
10	AA7147	Axel	Pin	2	Ø40
11	XFB092 6045	Bussning	Bushing	4	Ø60 x45
12	XM6s 12 12	Skruv	Screw	6	M12 x12
13	XLÅSB 40	Bricka	Washer	5	Ø40
14	XM6s16 25	Skruv	Screw	5	M16 x25
15	XLÅSB 60	Bricka	Washer	1	Ø60
16	XM6s 20 35	Skruv	Screw	1	M20 x35
17	AA7155	Cylinder	Cylinder	2	
18	XSMM10X1R	Smörjnippel	Grease nipple	4	M10



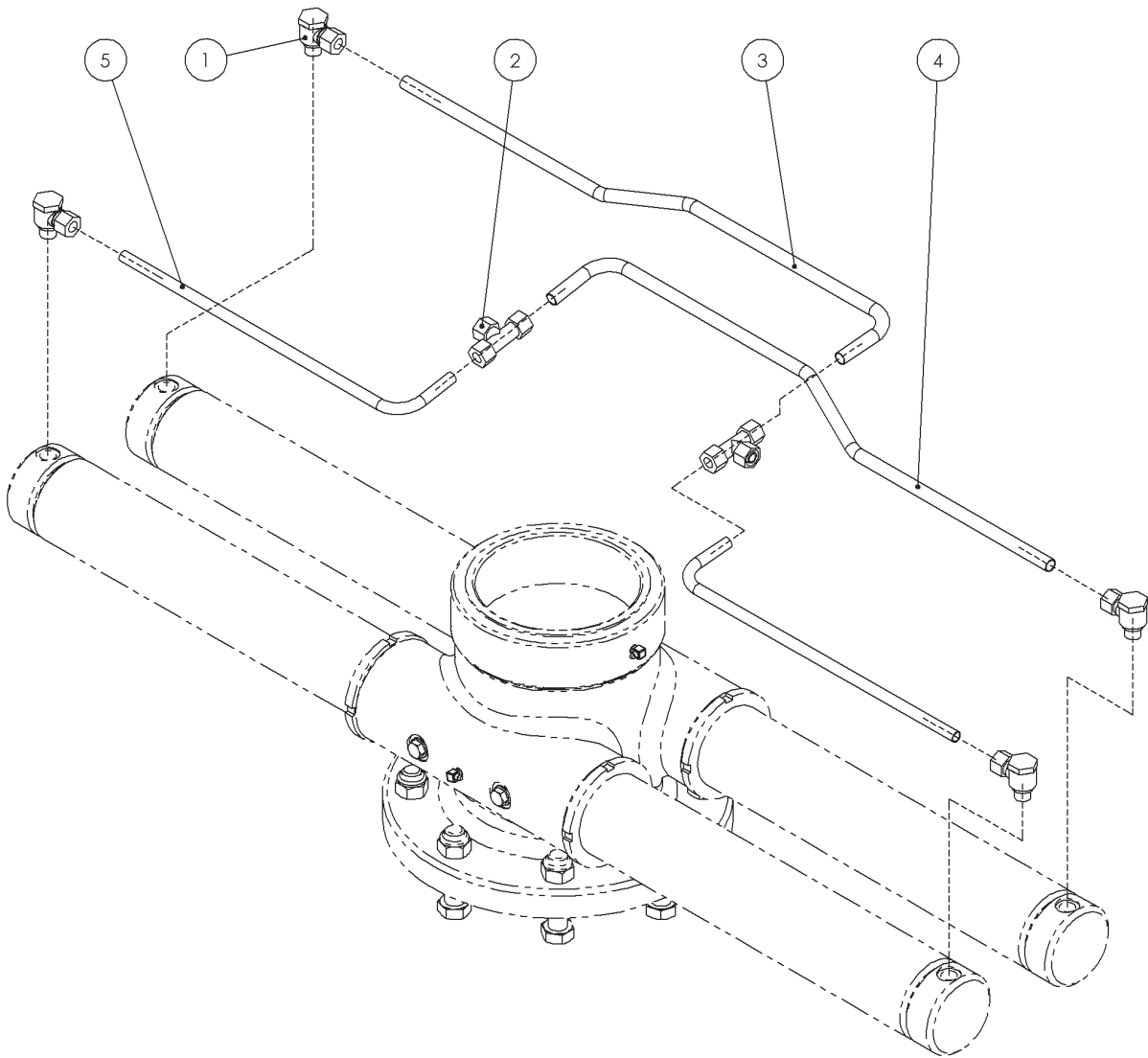
Vrm 38-6-4x80 Vridmotor Mekanik / Slew motor Mechanics

Pos	Artikelnr. Item No	Benämning	Description	Ant. QTY	Anmärkning Notes
1	MD12130	Vridmotorhus	Slew motor housing	1	
2	MD12362	Cylinderrör	Cylinder tube	4	D=90/80
3	XKM18	Låsmutter		4	KM 18
4	MD12210	Kuggstång	Rack	2	
5	AA5309	Kolv	Piston	4	D=80
6	XKT 806022	Tätning	Seal	4	80/60x22
7	MD12425	Lagerhalva	Bearing half	2	
8	MD12640	Bottenlock		1	
9	MD12622	Axellåsning		1	
10	XGE70ES	Ledlänklager		1	GE 70 ES
11	XFB09215050	WB 802	Bearing top	1	150x50, WB 802
12	XOR10950300	O-ring		1	109,50x3,00
13	W7571000030	Oljeöga		1	3/8"
14	XSMNMR8	Smörjnippel	Grease fitting	2	M8
15	MD12338	Smörjskruv	Grease screw	2	
16	W7012506010	Plugg		2	3/8"
17	XMC6S10 25	Insexskruv	Bolt	8	M10, L=25
18	XMC6S 8 35	Insexskruv	Bolt	8	M8, L=35



Vrm 55-8-4x85 Vridmotor Mekanik / Slew motor Mechanics

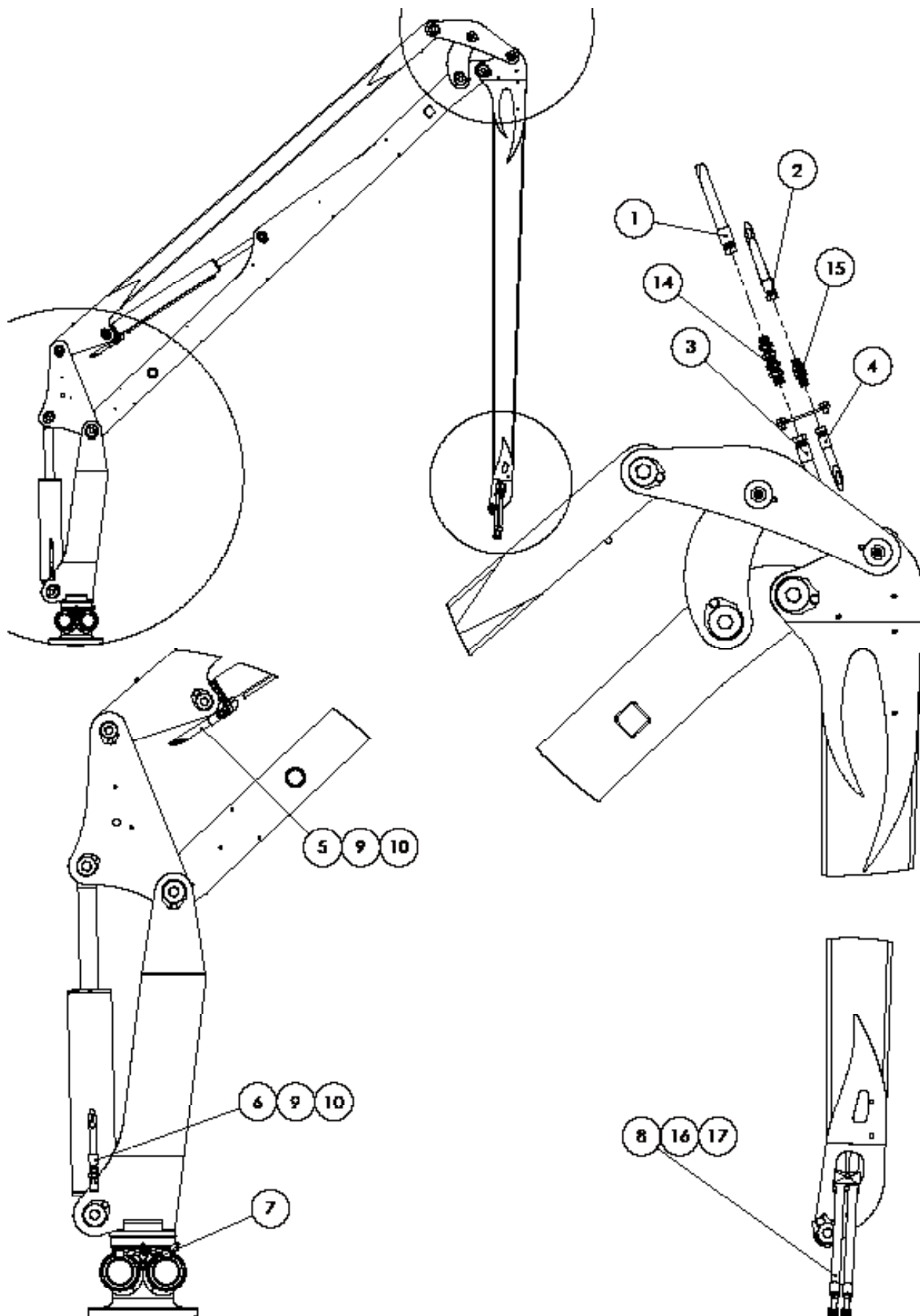
Pos	Artikelnr. Item No	Benämning	Description	Ant. QTY	Anmärkning Notes
1	MD12330	Plunge	Guide plug	4	
2	XKT 856522	Tätning	Seal	4	85/65x22
3	MD12240-1	Kuggstång	Rack	2	360 Gr
4	MD12142	Vridmotorhus	Slewmotor housing	1	55-8-4X85
5	MD12442	Stödlager	Support bearing	2	
6	MD12340	Låsskruv		4	
7	MD12316	Kolv	Piston	4	D= 85
8	MD12368	Cylinderrör	Cylinder tube	4	D=100/85 360 Gr
9	MD12280	Kuggaxel	Pinion	1	
10	XFB09216080	WB802 160/80	Bearing top	1	
11					
12					
13					
14					
15					
16					
17	XOR13302262	O-ring	O-ring	1	ø 133.02x2.62
18	XMC6S1025	Skruv	Bolt	8	MC6S M10x25
19	MD12610	Bottenlock		1	
20	MD12620	Låsbricka		1	
21	XGE90ES	Lager	Bearing	1	GE90ES
22	XMC6S1025	Skruv	Bolt	6	MC6S M10x25
23					
24					
25	W7012506010	Plugg	Plug	2	R 3/8"
26	SLN-34	Oljeöga	Oil eye	1	R 3/4"
27	XLR175	Låsring		1	
28	XKM19	Låsmutter		4	



Vrm 38-6-4x80 Vridmotor Hydraulik / Slew motor Hydraulics

Pos	Artikelnr. Item No	Benämning	Description	Ant. QTY	Anmärkning Notes
1	W7013012111	Banjokoppling	Coupling	4	
2	W7011512111	T-koppling	T-coupling	2	
3	WHR12x15-12	Rör	Tube	1	
4	WHR12x15-13	Rör	Tube	1	
5	WHR12x15-11	Rör	Tube	2	

P41 Hydraulik - Hydraulics



P41 Hydraulik - Hydraulics
MOWI P41/P51 med/with EHC/PCL
SM0331

Pos	Artikelnr. Item No	Beskrivning/ description	Ant. QTY.	Anmärkn. Note	Position	Position
1	S4 72003	1/2" (2) komp	2	Rinv-Rinv L7200	Nos-Ventil (grip)	Nose-valve (grapple)
2	S3 72003	3/8" (2) komp	2	Rinv-Rinv L7200	Nos-ventil (ro- tator)	Nose-valve (rotator)
3		1/2" (2) komp	2	Rinv-Rutv 3/8" L2800	Vipparm	Jib arm
4		3/8" (2) komp	2	Rinv-Rutv L2800	Vipparm	Jib arm
5	S4 33003	1/2" (2) komp	2	Rinv-Rinv L3500	Vikcylinder- ventil	Jib cylinder- valve
6	S4 21003	1/2" (2) komp	2	Rinv-Rinv L2100	Lyftcylinder- ventil	Lift cylinder- valve
7	S3 12003	3/8" (2) komp	2	Rinv-90inv L1200	Vridmotor- ventil	Slew motor- valve
8		3/8" (2) komp	4	Rinv-90inv L700	Nos-rotator	Nose-rotator
9	W0301360808	Adapter	4	utv 1/2"- utv1/2"	Lyft/vikcyl.	Lift/jib
10	W4500000018	Tredo	4	1/2"	Lyft/vikcyl.	Lift/Jib
11	W0301360808	Adapter	8	utv 1/2"- utv1/2"	Ventil	Valve
12	W0301350608	Adapter	4	utv 1/2"- utv3/8"	Ventil	Valve
13	W4500000018	Tredo	12	1/2"	Ventil	Valve
14	W0312600808	Skottg	2	1/2"	Plåt vipparm	Plate jib
15	W0312600606	Skottg	2	3/8"	Plåt vipparm	Plate jib
16	53900916	Rörh. /tube holder 2 bult	4	Tvilling/twin 16 mm	Nos	Nose
17	53917501	Täckplatta/ cover plate 2 bult	2	Tvilling/twin 16 mm	Nos	Nose

MOWI P41/P51 med lättviktspaket /with lightweight

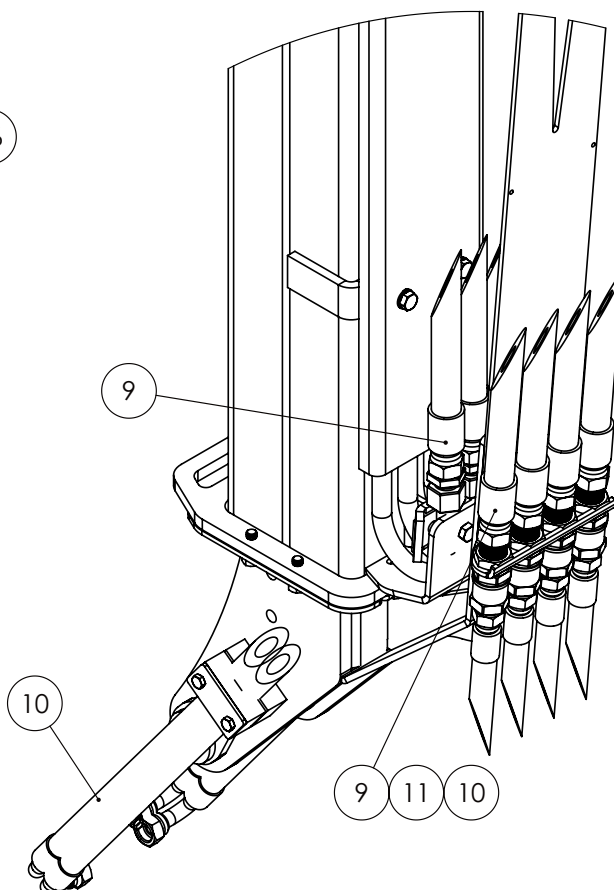
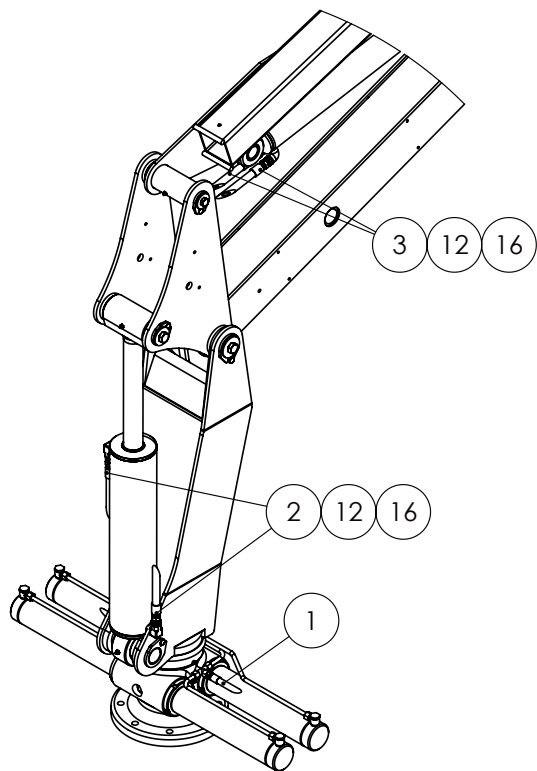
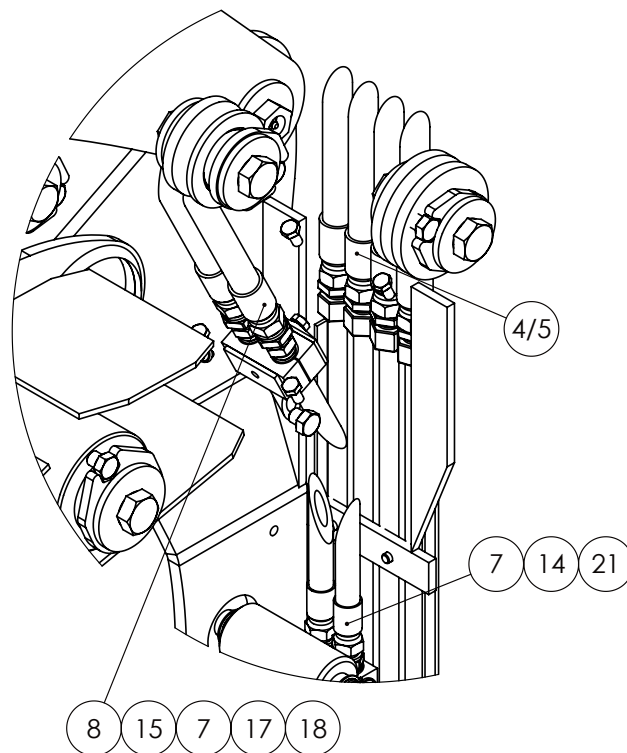
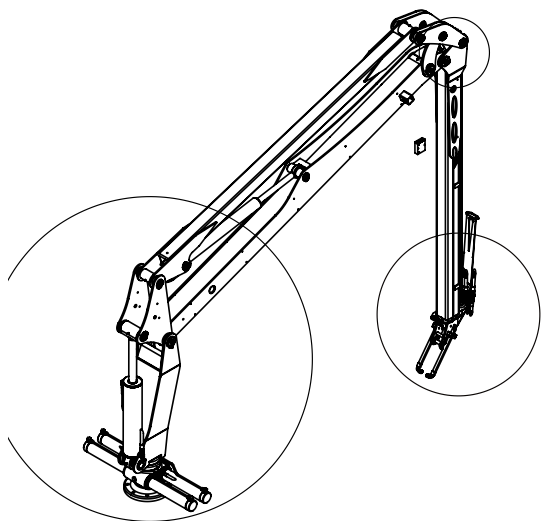
SM0333

Pos	Artikelnr. Item No	Beskrivning/ description	Ant. QTY.	Anmärkning Note	Position	Position
1	S4 70003	1/2" (2) komp	2	Rinv-Rinv L7000	Nos-ventil (grip)	Nose-valve (grapple)
2	S3 75003	3/8" (2) komp	2	Rinv-Rinv L7500	Nos-ventil (Ro- tator)	Nose-valve (rotator)
3	S3 28003	1/2" (2) komp	2	Rinv-Rutv 3/8" L2800	Vipparm (rotator)	Jib arm (rotator)
4	S4 28003	3/8" (2) komp	2	Rinv-Rutv L2800	Vipparm (grip)	Jib arm (grapple)
5	S4 39003	1/2" (2) komp	2	Rinv-Rinv L3900	Vikcylinder- ventil	Jib cylinder- valve
6	S4 30003	1/2" (2) komp	2	Rinv-Rinv L3000	Lyftcylin- der-Ventil	Lift cylinder- valve
7	S3 30003	3/8" (2) komp	2	Rinv-90inv L3000	Vridmotor- ventil	Slew motor- valve
8	S3 7004	3/8" (2) komp	4	Rinv-90inv L700	Nos-rotator	Nose- rotator
9	W0301360808	Adapter	4	utv 1/2"- utv 1/2"	Lyft/Vikcyl	Lift/jib
10	W4500000018	Tredo	4	1/2"	Lyft/Vikcyl	Lift/Jib
11	W0301360808	Adapter	8	utv 1/2"- utv 1/2"	Ventil	Valve
12	W0301350608	Adapter	4	utv 1/2"- utv 3/8"	Ventil	Valve
13	W4500000018	Tredo	12	1/2"	Ventil	Valve
14	W0312600808	Skottg	2	1/2"	Plåt vipparm	Plate jib
15	W0312600606	Skottg	2	3/8"	Plåt vipparm	Plate jib
16	53900916	Rörh. /tube holder 2 bult	4	Tvilling/twin 16 mm	Nos	Nose
17	53917501	Täckplatta/ cover plate 2 bult	2	Tvilling/twin 16 mm	Nos	Nose

MOWI P41/P51 med flerspåk/ with multilever
SM0329

Pos	Artikelnr. Item No	Beskrivning/ description	Antal QTY.	Anmärkning Note	Position	Position
1	S4 76003	1/2" (2) komp	2	Rinv-Rinv L7600	Nos-ventil (grip)	Nose-valve (grapple)
2	S3 76003	3/8" (2) komp	2	Rinv-Rinv L7600	Nos-ventil (ro- tator)	Nose-valve (rotator)
3	S3 28003	1/2" (2) komp	2	Rinv-Rutv 3/8" L2800	Vipparm (rotator)	Jib arm (rotator)
4	S4 28003	3/8" (2) komp	2	Rinv-Rutv L2800	Vipparm (grip)	Jib arm (grapple)
5	S4 39003	1/2" (2) komp	2	Rinv-Rinv L3900	Vikcylinder- ventil	Jib cylinder- valve
6	S4 30003	1/2" (2) komp	2	Rinv-Rinv L3000	Lyftcylinder- ventil	Lift cylinder- valve
7	S3 30003	3/8" (2) komp	2	Rinv-90inv L3000	Vridmotor- ventil	Slew motor- valve
8	S3 7004	3/8" (2) komp	4	Rinv-90inv L700	Nos-rotator	Nose- rotator
9	W0301360808	Adapter	4	ut- v1/2"-utv1/2"	Lyft/Vikcyl.	Lift/jib
10	W4500000018	Tredo	4	1/2"	Lyft/Vikcyl.	Lift/Jib
11	W0301360808	Adapter	8	utv 1/2"- utv 1/2"	Ventil	Valve
12	W0301350608	Adapter	4	utv 1/2"- utv 3/8"	Ventil	Valve
13	W4500000018	Tredo	12	1/2"	Ventil	Valve
14	W0312600808	Skottg	2	1/2"	Plåt vipparm	Plate jib
15	W0312600606	Skottg	2	3/8"	Plåt vipparm	Plate jib
16	53900916	Rörh. /tube holder 2 bult	4	Tvilling/twin 16 mm	Nos	Nose
17	53917501	Täckplatta/ cover plate 2 bult	2	Tvilling/twin 16 mm	Nos	Nose

P41T Hydraulik - Hydraulics



MOWI P41T med EHC/PCL/ with EHC/PCL
SM0376

Pos	Artikelnr. Item No	Beskrivning/ Description	Ant. QTY.	Anmärkning Note	Position	Position
1	S3 12003	3/8" (2) komp	2	Rinv-Rinv L1200mm	Vridmotor- ventil	Slew motor- valve
2	S4 20003	1/2" (2) komp	2	Rinv-Rinv L2000mm	Lyftcylinder- ventil	Lift cylinder- valve
3	S4 32003	1/2" (2) komp	2	Rinv-Rinv L3500	Vikcylinder- ventil	Jib cylinder- valve
4		3/8" (2) komp	2	Rinv-Rutv SKL15 L6800mm	Nos-Ventil (ro- tator)	Nos-valve (rotator)
5		1/2" (2) komp	2	Rinv-Rutv SKL15 L6800mm	Nos-Ventil (grip)	Nose-valve (grapple)
6		1/2" (2) komp	2	Rinv-Rinv L5600mm	Block-ventil	Block-valve
7		3/8" (2) komp	2	Rinv-Rinv L360	Teleskopcyl.- skarv	Telescope- break
8		1/2" (2) komp	2	Rinv-Rinv L940	Skarv-block	Break-block
9		1/2" (2) komp	4	Rinv-Rutv SKL15 1940	Vipparm- teleskoparm	Jibarm- Telesc. arm
10		3/8" (2) komp	4	Rinv-90inv 1000	Rotator	Rotator
11	W0312600808	Skottg spec.	4	1/2"-3/8"	Plåt teleskoparm	Break telesc. arm
12	W0301360808	Adapter	4	utv 1/2"- utv 1/2"	Lyft/vikcyl	Lift/jib
13	W4500000018	Tredo	4	1/2"	Lyft/vikcyl	Lift/jib
14	W0301360808	Adapter	8	utv 1/2"- utv 1/2"	Ventil	Valve
15	W0301350608	Adapter	6	utv 1/2"- utv 3/8"	Ventil/ teleskopskarv	Valve/break telescope
16	W4500000018	Tredo	12	1/2"	Ventil	Valve
17	W779000020	Slanghållare Hose holder	2	20 mm dubbel	Vipparm	Jib arm
18	W7792000003	Täckplatta Cover plate	1	20 mm dubbel	Vipparm	Jib arm
19	53900916	Rörh./tube h. 2 bult	4	Tvilling/twin 16 mm	Nos	Nose
20	53917501	Täckplatta/ Cover plate	2	Tvilling/twin 16 mm	Nos	Nose
	KA1119	Hydraulblock	1		Hjälpbom	Support arm

MOWI P41T med lättviktspaket/ with light weight valve

SM0377

Pos	Artikelnr. Item No	Beskrivning/ description	Ant. QTY.	Anmärkning Note	Position	Position
1	S3 30003	3/8" (2) komp	2	Rinv-Rinv L	Vridmotor- ventil	Slew motor- valve
2	S4 29003	1/2" (2) komp	2	Rinv-Rinv L	Lyftcylinder- ventil	Lift cylinder- valve
3	S4 38003	1/2" (2) komp	2	Rinv-Rinv L	Vikcylinder- ventil	Jib cylinder- valve
4	S3 72003	3/8" (2) komp	2	Rinv-Rutv SKL15 L	Nos-ventil (ro- tator)	Nos-valve (rotator)
5	S4 67003	1/2" (2) komp	2	Rinv-Rutv SKL15 L	Nos-Ventil (grip)	Nose-valve (grapple)
6		1/2" (2) komp	2	Rinv-Rinv L	Block-ventil	Block-valve
7		3/8" (2) komp	2	Rinv-Rinv L360	Teleskopcyl- skarv	Telesc. cyl- break
8		1/2" (2) komp	2	Rinv-Rinv L940	Skarv-block	Break-block
9		1/2" (2) komp	4	Rinv-Rutv SKL15 1940	Vipparm- teleskoparm	Jibarm- telesc. arm
10		3/8" (2) komp	4	Rinv-90inv 1000	Rotator	Rotator
11	W0312600808	Skottg spec.	4	1/2"-3/8"	Plåt teleskoparm	Break telesc. arm
12	W0301360808	Adapter	4	utv 1/2"- utv 1/2"	Lyft/vikcyl	Lift/jib
13	W4500000018	Tredo	4	1/2"	Lyft/vikcyl	Lift/jib
14	W0301360606	Adapter	4	utv 3/8"- utv3/8"	Ventil	Valve
15	W0301350608	Adapter	12	utv 1/2"- utv 3/8"	Ventil/ teleskopskarv	Valve/break telesc.
16	W4500000018	Tredo	10	1/2"	Ventil	Valve
17	W779000020	Slanghållare Hose holder	2	20 mm dubbel	Vipparm	Jib arm
18	W7792000003	Täckplatta Cover plate	1	20 mm dubbel	Vipparm	Jib arm
19	53900916	Rörh./tube h. 2 bult	4	Tvilling/twin 16 mm	Nos	Nose
20	53917501	Täckplatta/ Cover plate	2	Tvilling/twin 16 mm	Nos	Nose
21	W4500000016	Tredo	2	3/8"		
	KA1119	Hydraulblock	1		Hjälpbom	Support arm

MOWI P41T med flerspåk/ with multi lever
SM0378

Pos	Artikelnr. Item No	Beskrivning/ description	Antal QTY.	Anmärkning Note	Position	Position
1	S3 30003	3/8" (2) komp	2	Rinv-Rinv L3000 mm	Vridmotor- ventil	Slew motor- valve
2	S4 29003	1/2" (2) komp	2	Rinv-Rinv L2900 mm	Lyftcylinder- ventil	Lift cylinder- valve
3	S4 38003	1/2" (2) komp	2	Rinv-Rinv L3800 mm	Vikcylinder- ventil	Jib cylinder- valve
4		3/8" (2) komp	2	Rinv-Rutv SKL15 L7200 mm	Nos-ventil (ro- tator)	Nos-valve (rotator)
5		1/2" (2) komp	2	Rinv-Rutv SKL15 L7200 mm	Nos-ventil (grip)	Nose-valve (grapple)
6		1/2" (2) komp	2	Rinv-Rinv L6000 mm	Block-ventil	Block-valve
7		3/8" (2) komp	2	Rinv-Rinv L360	Teleskopcyl- skarv	Telesc. cyl.- break
8		1/2" (2) komp	2	Rinv-Rinv L940	Skarv-block	Break-block
9		1/2" (2) komp	4	Rinv-Rutv SKL15 1940	Vipparm- teleskoparm	Jibarm- Telesc. arm
10		3/8" (2) komp	4	Rinv-90inv 1000	Rotator	Rotator
11	W0312600808	Skottg spec.	4	1/2"-3/8"	Plåt teleskoparm	Break tel.
12	W0301360808	Adapter	4	utv 1/2"- utv 1/2"	Lyft/vikcyl.	Lift/jib
13	W4500000018	Tredo	4	1/2"	Lyft/vikcyl.	Lift/jib
14	W0301360808	Adapter	8	utv 1/2"- utv 1/2"	Ventil	Valve
15	W0301350608	Adapter	6	utv 1/2"- utv 3/8"	Ventil/ teleskopskarv	Valve/break telescope
16	W4500000018	Tredo	12	1/2"	Ventil	Valve
17	W779000020	Slanghållare Hose holder	2	20 mm dubbel	Vipparm	Jib arm
18	W7792000003	Täckplatta Cover plate	1	20 mm dubbel	Vipparm	Jib arm
19	53900916	Rörh./tube h. 2 bult	4	Tvilling/twin 16 mm	Nos	Nose
20	53917501	Täckplatta/ Cover plate	2	Tvilling/twin 16 mm	Nos	Nose
	KA1119	Hydraulblock	1		Hjälpbom	Support arm

