

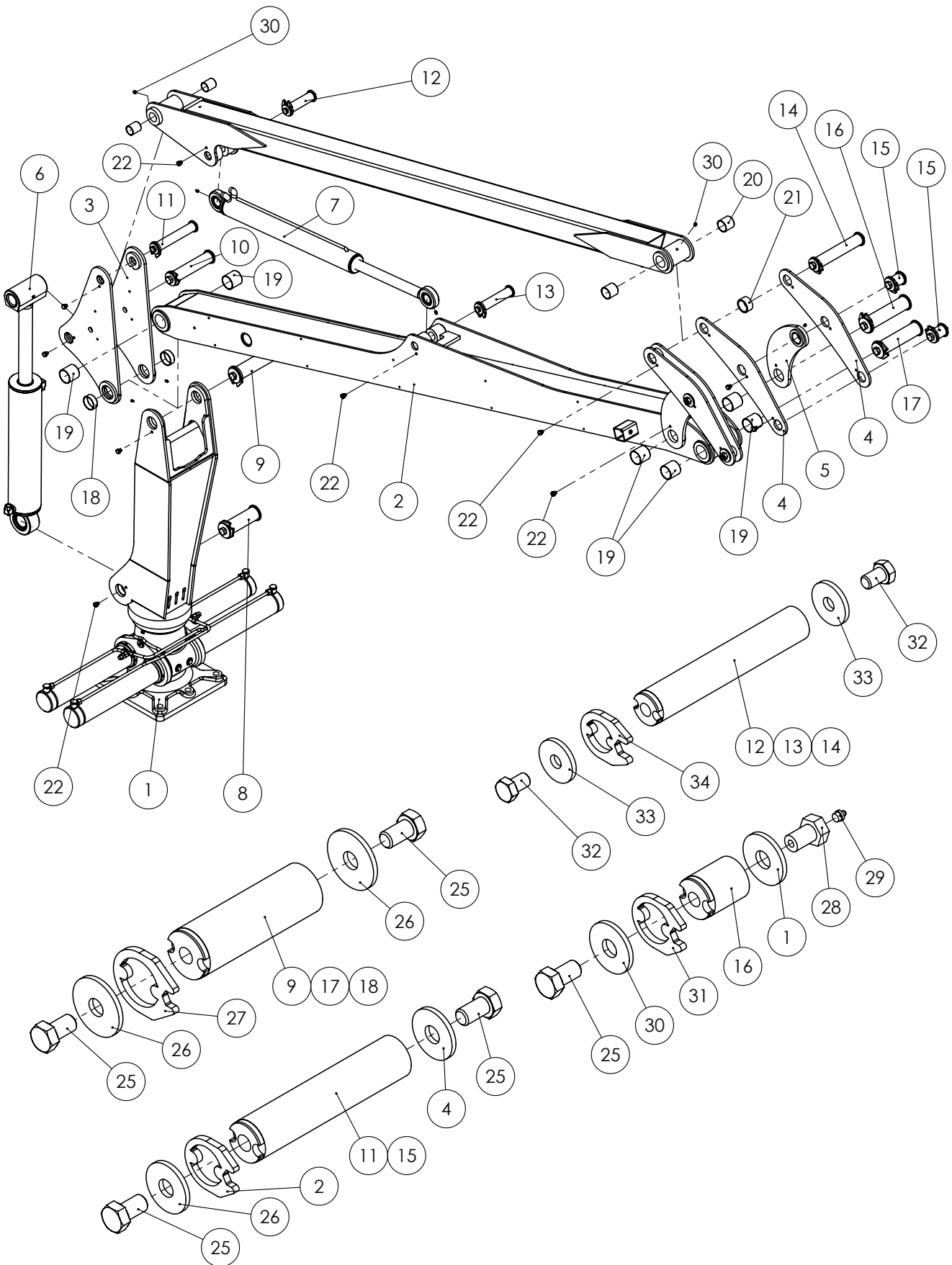
7**Reservdelar Kran / Crane Spare Parts**

Ange detaljnummer, maskintyp och serienummer vid beställning av reservdelar, för att leverans av rätt detalj ska kunna ske.

Maskintyp och serienummer framgår av försäkran eller typskylt.

When ordering spare parts, please state type and serial number to ensure that the correct parts are supplied.

Type and serial number can be found in the Declaration of Conformity or to the typesign.



P51/P51T Mekanik / Mechanics

Pos.	Art.Nr Item No	Benämning	Description	QTY.	Notes
1	AA7039	VRM 55+Pelare	Slew moter + Pillar	1	
1	AA7033	Pelare	Pillar		
2	AA7027	Huvudbom	Main bom	1	
3	AA8726	Hjälpbom	Support bom	1	
4	AA6871	Lyftok vänster	Lifting joint Left	1	
4	XSMNM6X1R	Smörjnippel	Grease nipple	1	M6
4	AA6871	Lyftok höger	Lifting joint Right	1	
4	XSMNM6X1R	Smörjnippel	Grease nipple	1	M6
5	AA6714	Yttre länk	Outer link	4	
6	AA6720	Inre länk	Inner link	2	
7	AA6903	Lyftcylinder	Lift cylinder	1	125/60x535
	XTS12560	Tätningssats	Seal kit	1	
	XGE60ES	Ledlänklager		1	
	XFBF 5050	Bussning	Bushing	2	
	XSMNM10X1R	Smörjnippel	Grease nipple	2	M10
8	MB21388	Vikcylinder	Jibb cylinder	1	90/45x690
8	XTS 9045	Tätningssats	Seal kit	1	
8	GE40ES	Ledlänklager		2	
8	XSMNM8X1R	Smörjnippel	Grease nipple	2	M8
9	AA9810	Axel	Pin	1	D60 L175
10	AA9812	Axel	Pin	1	D60 L305
11	AA9818	Axel	Pin	1	D50 L227
12	AA9816	Axel	Pin	1	D40 L227
13	AA9793	Axel	Pin	1	D40 L141
14	AA9150	Axel	Pin	1	D40 L178
15	AA9824	Axel	Pin	1	D50 L266
16	AA9820	Axel smörjd	Pin greased	4	D50 L53
17	AA9814	Axel	Pin	1	D60 L233
18	AA9822	Axel	Pin	1	D60 L225
19	XFB092 6023	Bussning	Bushing	2	FB092
20	XFB092 6060	Bussning	Bushing	6	FB090
21	XFB090 4050	Bussning	Bushing	2	FB090
22	XFB090 5030	Bussning	Bushing	6	FB090

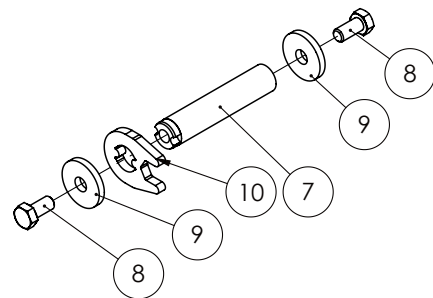
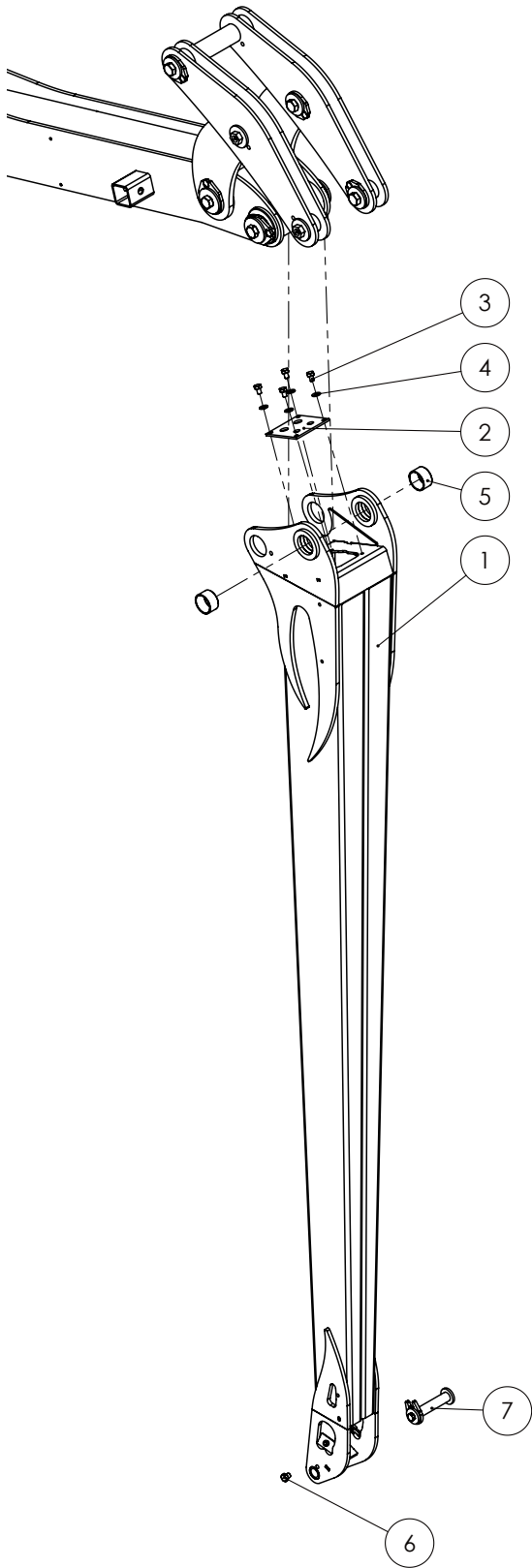
P51/P51T Mekanik/Mechanics

Pos.	Art.Nr Item No	Benämning	Description	Antal QTY.	Anmärkning Notes
23	AA8721	Distansrör	Ditsance tube	2	
24	XM6S12 12	Skruv	Screw	13	M12 x 12
25	XM6S20 35	Skruv	Screw	10	M20 x 35
26	AA9645	Bricka	Washer	8	Ø60
27	AA9644	Låsbricka	Locking washer	4	Ø60
28	XÖM6S20 30	Skruv smörjd	Screw greased	4	M20 x 30
29	XSMNM10X15R	Smörjnippel	Grease nipple	8	M10
30	AA9232	Bricka	Washer	12	Ø50
31	AA9228	Låsbricka	Locking washer	6	Ø50
32	XM6S16 25	Skruv	Screw	6	M16 x 25
33	AA9055	Bricka	Washer	4	Ø40
34	AA9057	Låsbricka	Locking washer	2	Ø40

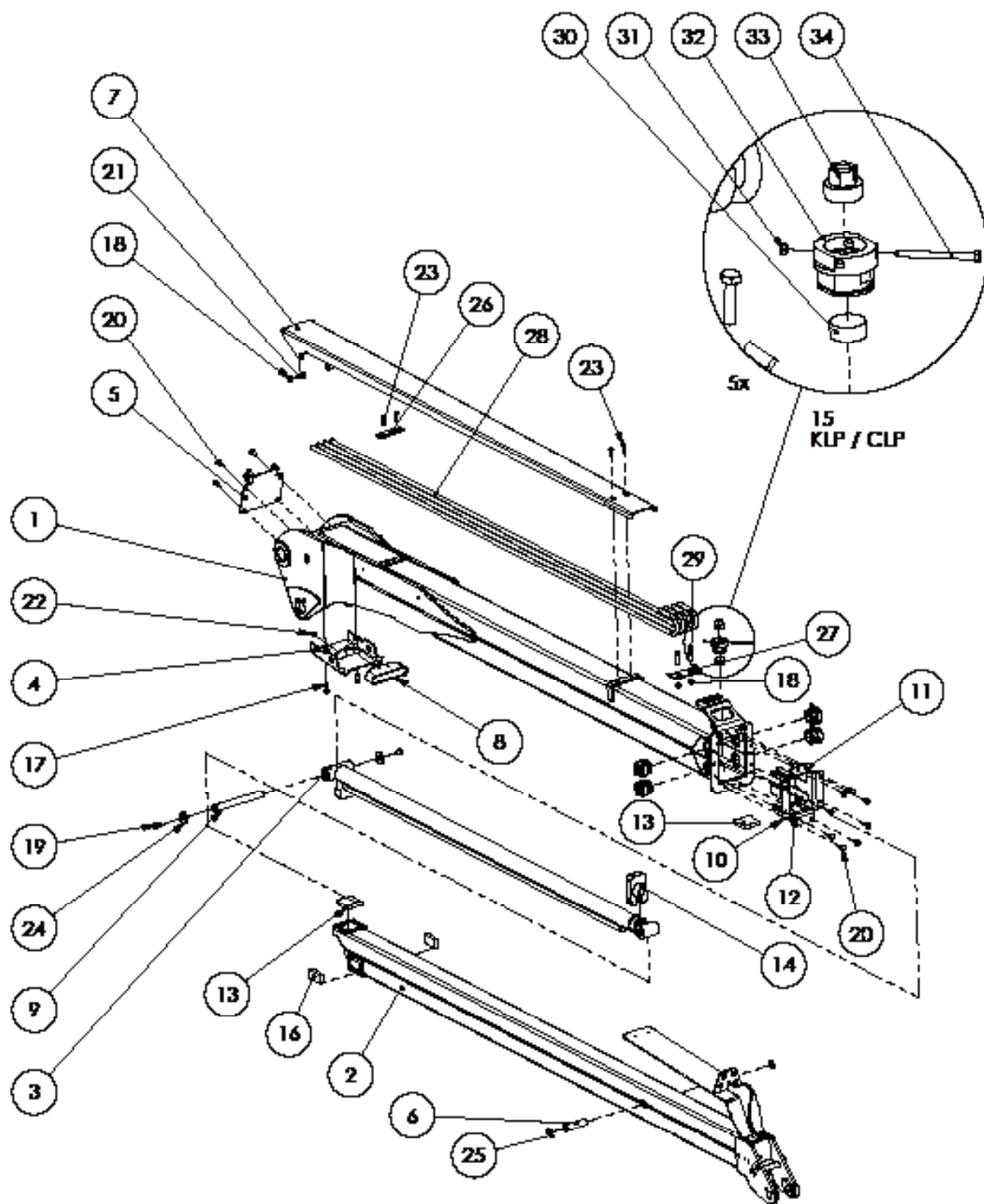
P51 Mekanik/Mechanics

Pos.	Art.Nr Item No	Benämning	Description	Antal QTY.	Anmärkning Notes
1	AA6960	Vipparm	Jib arm	1	
2	MÖ12702000	Täcklock	Cover plate	1	
3	XM6S10 16	Skruv	Screw	4	M10 x 16
4	XBRB20105	Bricka	Washer	4	M10
5	XPM 5030DX	Bussning	Bushing	2	
6	XM6S12 12	Skruv	Screw	1	M12 x 12
7	AA9156	Axel	Pin	1	Ø25
8	XM6S12 25	Skruv	Screw	2	M12 x 25
9	AA9163	Bricka	Washer	2	Ø25
10	AA9162	Låsbricka	Locking washer	1	Ø25

P51 Mekanik / Mechanics



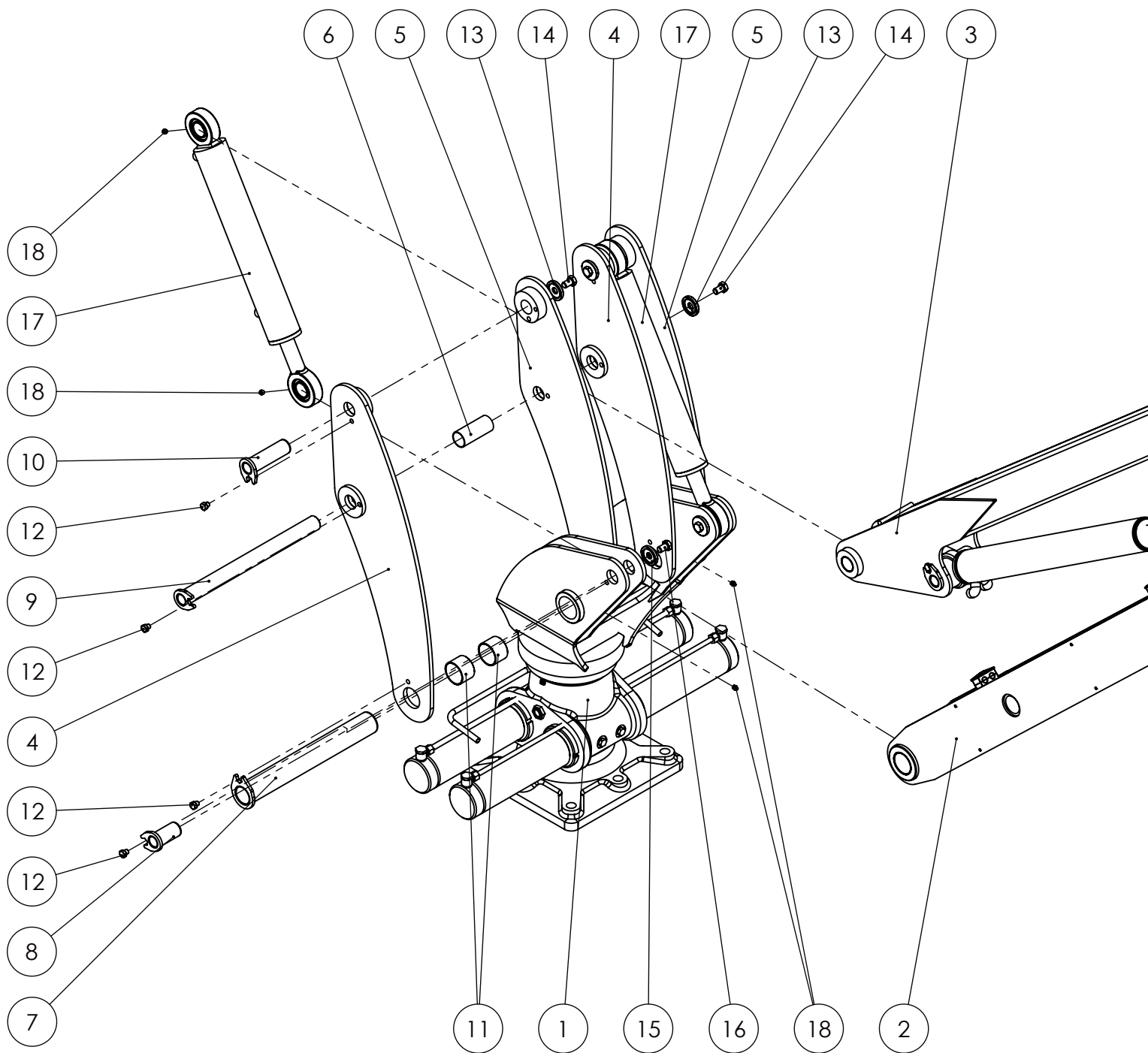
P51T Mekanik Vipparm - Teleskop / Mechanics Leveling boom - Telescope



P51T Mekanik Vipparm - Teleskop / Mechanics Leveling boom - Telescope

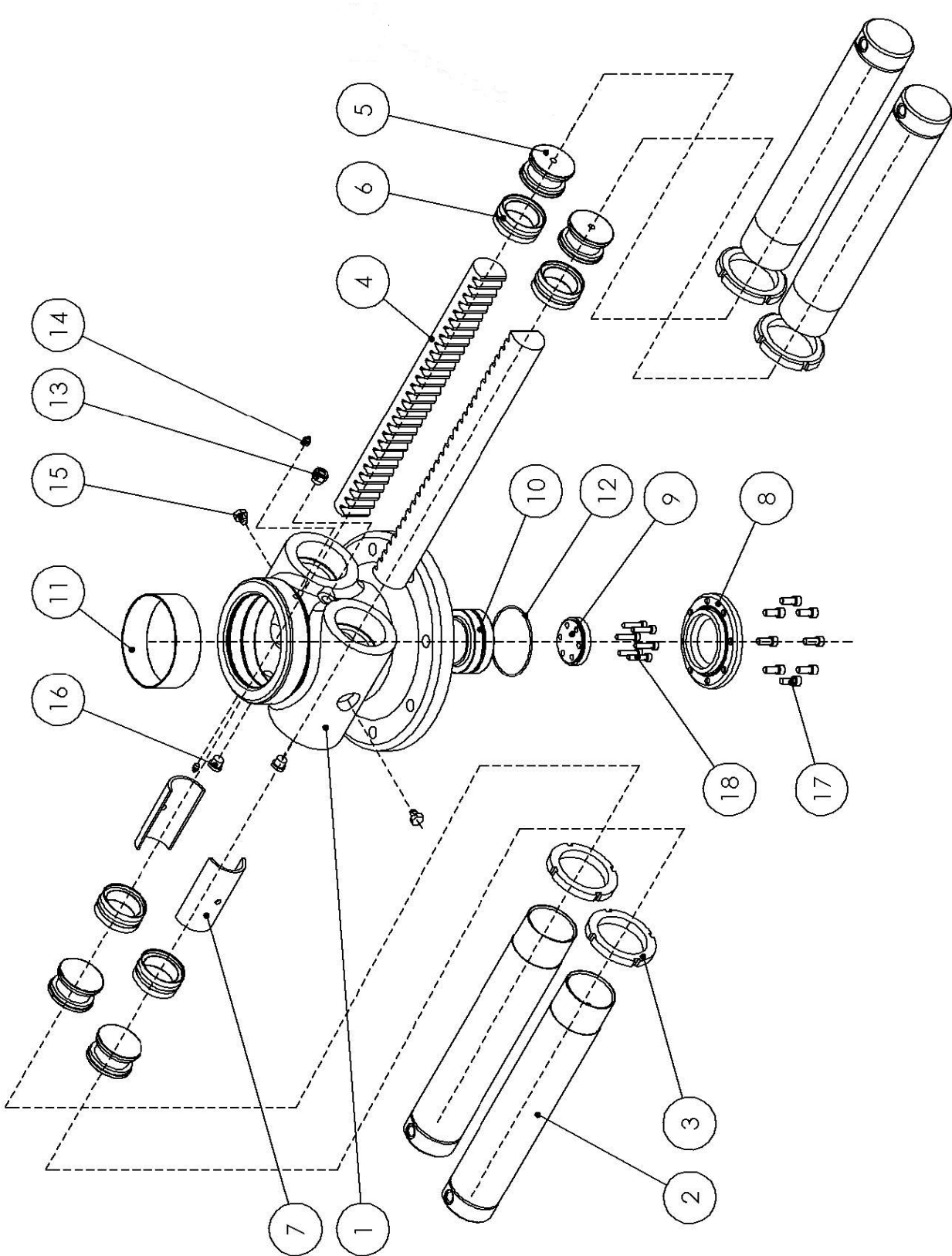
Pos.	Art.Nr Item No	Benämning	Description	Antal QTY.	Anmärkning Notes
1	AA9672	Vipparm	Jib arm	1	
2	AA9169	Teleskoparm	Teleskopic boom	1	
3	AA9110	Teleskopcylinder	Teleskopic cylinder	1	
4	AA9777	Lamphållare	Lamp holder	1	
5	AA9682	Skydd	Cover	1	
6	AA9274	Axel	Pin	1	Ø25
7	AA9147	Skyddskåpa	Cover	1	
8	KA2684	Arbetsbelysning	Work light	1	
9	AA9688	Axel	Pin	1	Ø25
10	AA9187	Glidklackslås	Sliding pad lock	2	
11	AA9166	Glidklackslås	Sliding pad lock	1	
12	AA9167	Glidklackshållare	Sliding pad holder	1	
13	AA9180	Glidklack	Sliding pad	3	
14	AA9256	Knäckskydd		1	
15	AA9263	Glidklack KPL	Sliding pad CLP	5	
16	AA9181	Glidklack	Sliding pad		
17	XMC6S 8 35	Skruv	Screw	2	M8x35
18	XLÅSM 10	Mutter	Nut	2	M10
19	XLÅSM 8	Mutter	Nut	1	M8
20	XM6S12 20	Skruv	Screw	2	M12x20
21	XM6S10 20	Skruv	Screw	12	M10x20
22	XM6S10 25	Skruv	Screw	2	M10x25
23	XM6S 8 30	Skruv	Screw	2	M8x30
24	AA9163	Bricka	Washer	2	
25	XSGA25	Låsring	SGA	2	
26	AA9137	Glidklack	Sliding pad	5	Ø34x15
27	XLÅSM 6	Mutter	Nut	5	M6
28	AA9140	Glidklackshus	Sliding pad housing	5	
29	AA9136	Justerskruv	Adjustingscrew	5	
30	XM6S 6 75	Skruv	Screw	5	M6 x 75

P50 Mekanik Låg pelare - Mechanics Low pillar



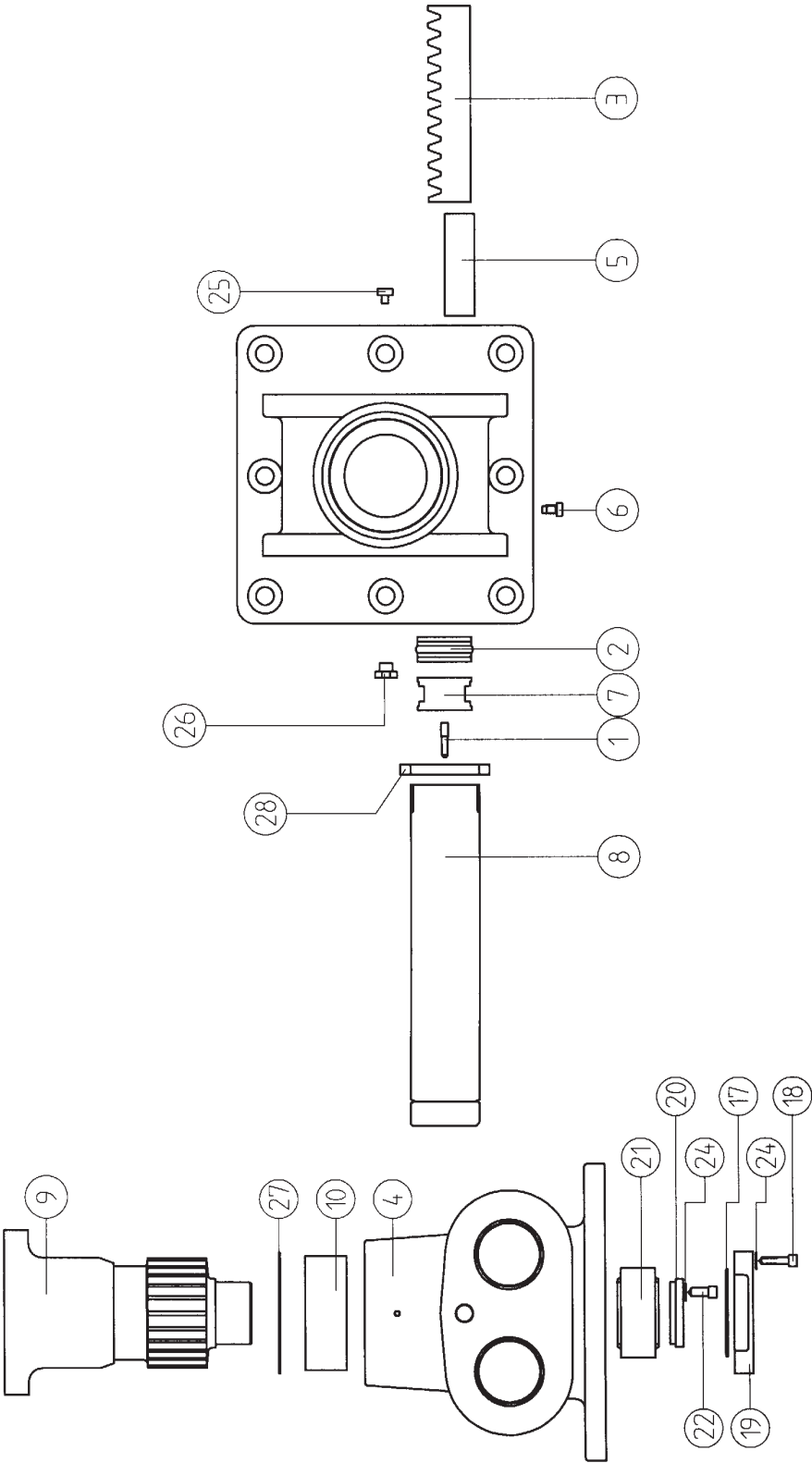
P50 Mekanik Låg pelare - Mechanics Low pillar

Pos.	Art.Nr Item No	Benämning	Description	Antal QTY.	Anmärkning Notes
1	AA7177	Pelare 55XX	Pillar 55XX		
1	AA7130	Pelare 38XX	Pillar 38XX		
2	AA7314	Lyftarm	Main boom	1	
3	AA8718	Hjälpbom	Supporting boom	1	
4	AA7137-R	Ok, höger	Lifting joint, right	2	
5	AA7137-L	Ok, vänster	Lifting joint, left	2	
6	AA7152	Distansrör	Spacer	2	
7	AA7149	Axel	Pin	1	Ø60
8	AA7151	Axel	Pin	2	Ø40
9	AA7145	Axel	Pin	1	Ø40
10	AA7147	Axel	Pin	2	Ø40
11	XFB092 6045	Bussning	Bushing	4	Ø60 x45
12	XM6s 12 12	Skruv	Screw	6	M12 x12
13	XLÅSB 40	Bricka	Washer	5	Ø40
14	XM6s16 25	Skruv	Screw	5	M16 x25
15	XLÅSB 60	Bricka	Washer	1	Ø60
16	XM6s 20 35	Skruv	Screw	1	M20 x35
17	AA7155	Cylinder	Cylinder	2	
18	XSM10X1R	Smörjnippel	Grease nipple	4	M10



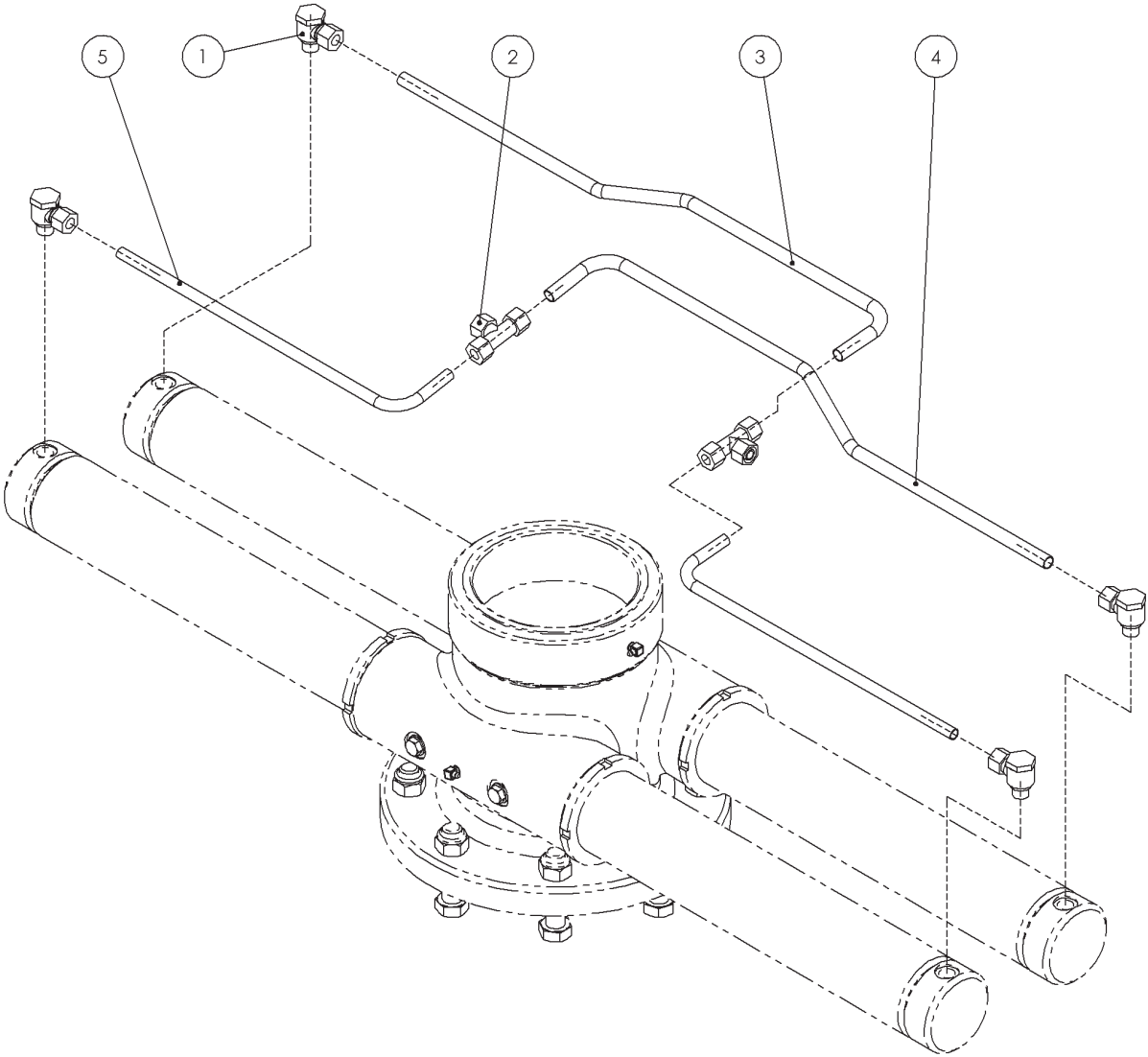
Vrm 38-6-4x80 Vridmotor Mekanik / Slew motor Mechanics

Pos.	Art.Nr Item No	Benämning	Description	Antal QTY.	Anmärkning Notes
1	MD12130	Vridmotorhus	Slew motor housing	1	
2	MD12362	Cylinderrör	Cylinder tube	4	D=90/80
3	XKM18	Låsmutter		4	KM 18
4	MD12210	Kuggstång	Rack	2	
5	AA5309	Kolv	Piston	4	D=80
6	XKT 806022	Tätning	Seal	4	80/60x22
7	MD12425	Lagerhalva	Bearing half	2	
8	MD12640	Bottenlock		1	
9	MD12622	Axellåsning		1	
10	XGE70ES	Ledlänklager		1	GE 70 ES
11	XFB09215050	WB 802	Bearing top	1	150x50, WB 802
12	XOR10950300	O-ring		1	109,50x3,00
13	W7571000030	Oljeöga		1	3/8"
14	XSMNMR8	Smörjnippel	Grease fitting	2	M8
15	MD12338	Smörjskruv	Grease screw	2	
16	W7012506010	Plugg		2	3/8"
17	XMC6S10 25	Insexskruv	Bolt	8	M10, L=25
18	XMC6S 8 35	Insexskruv	Bolt	8	M8, L=35



Vrm 55-8-4x85 Vridmotor Mekanik / Slew motor Mechanics

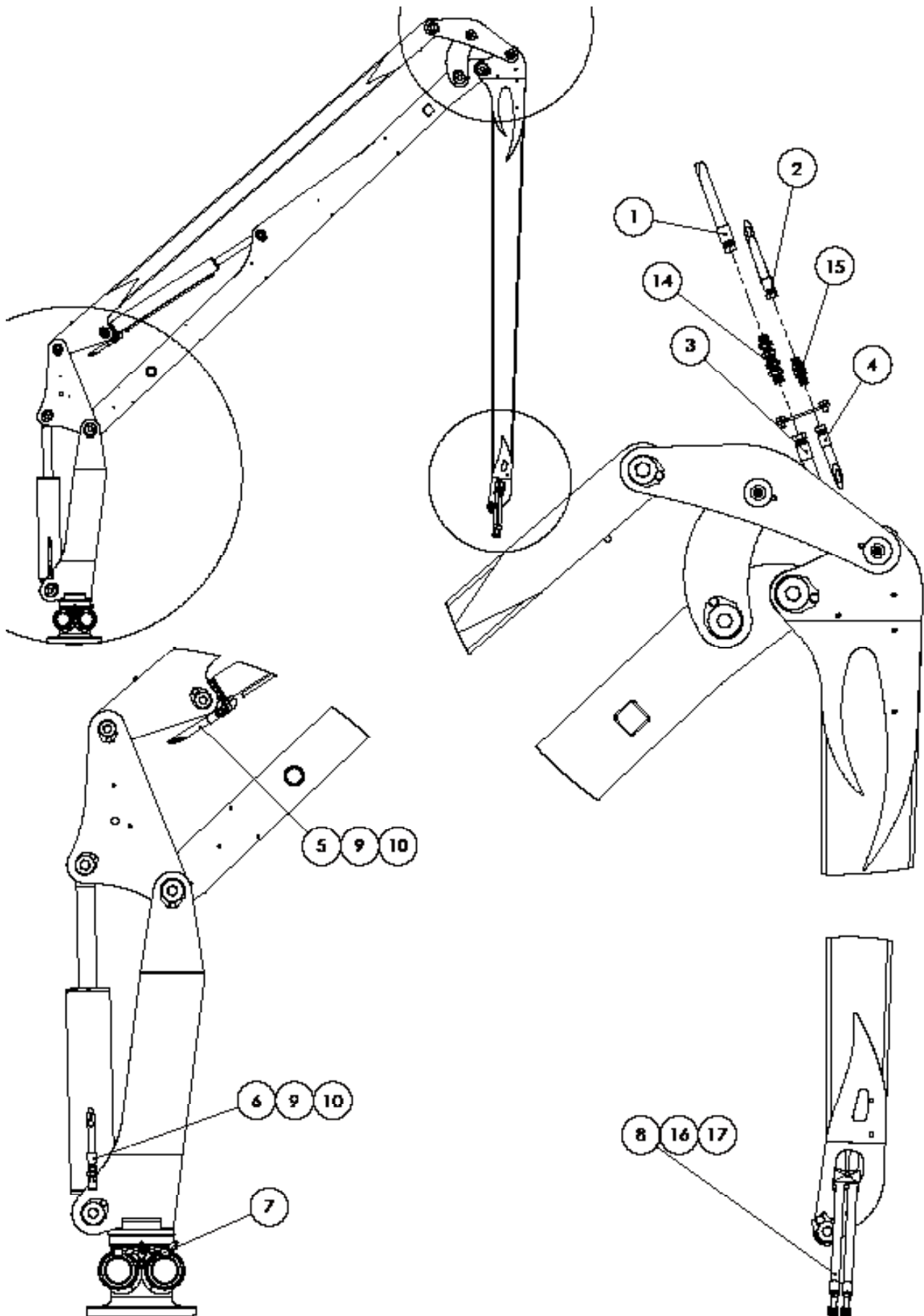
Pos.	Art.Nr Item No	Benämning	Description	Antal QTY.	Anmärkning Notes
1	MD12330	Plunge	Guide plug	4	
2	XKT 856522	Tätning	Seal	4	85/65x22
3	MD12240-1	Kuggstång	Rack	2	360 Gr
4	MD12142	Vridmotorhus	Slewmotor housing	1	55-8-4X85
5	MD12442	Stödlager	Support bearing	2	
6	MD12340	Låsskruv		4	
7	MD12316	Kolv	Piston	4	D= 85
8	MD12368	Cylinderrör	Cylinder tube	4	D=100/85 360 Gr
9	MD12280	Kuggaxel	Pinion	1	
10	XFB09216080	WB802 160/80	Bearing top	1	
11					
12					
13					
14					
15					
16					
17	XOR13302262	O-ring	O-ring	1	ø 133.02x2.62
18	XMC6S1025	Skruv	Bolt	8	MC6S M10x25
19	MD12610	Bottenlock		1	
20	MD12620	Låsbricka		1	
21	XGE90ES	Lager	Bearing	1	GE90ES
22	XMC6S1025	Skruv	Bolt	6	MC6S M10x25
23					
24					
25	W7012506010	Plugg	Plug	2	R 3/8"
26	SLN-34	Oljeöga	Oil eye	1	R 3/4"
27	XLR175	Låsring		1	
28	XKM19	Låsmutter		4	



Vrm 38-6-4x80 Vridmotor Hydraulik / Slew motor Hydraulics

Pos.	Art.Nr Item No	Benämning	Description	Antal QTY.	Anmärkning Notes
1	W7013012111	Banjokoppling	Coupling	4	
2	W7011512111	T-koppling	T-coupling	2	
3	WHR12x15-12	Rör	Tube	1	
4	WHR12x15-13	Rör	Tube	1	
5	WHR12x15-11	Rör	Tube	2	

P51 Hydraulik - Hydraulics



MOWI P41/P51 med/with EHC/PCL
SM0331

Pos	Artikelnr. Article no.	Beskrivning/ Description	Ant. QTY.	Anmärkning Note	Position	Position
1	S4 72003	1/2" (2) komp	2	Rinv-Rinv L7200	Nos-ventil (grip)	Nose-valve (grapple)
2	S3 72003	3/8" (2) komp	2	Rinv-Rinv L7200	Nos-ventil (rotator)	Nose-valve (rotator)
3		1/2" (2) komp	2	Rinv-Rutv 3/8" L2800	Vipparm	Jib arm
4		3/8" (2) komp	2	Rinv-Rutv L2800	Vipparm	Jib arm
5	S4 33003	1/2" (2) komp	2	Rinv-Rinv L3500	Vikcylinder- ventil	Jib cylinder- valve
6	S4 21003	1/2" (2) komp	2	Rinv-Rinv L2100	Lyftcylinder- ventil	Lift cylinder- valve
7	S3 12003	3/8" (2) komp	2	Rinv-90inv L1200	Vridmo- tor-ventil	Slew motor- valve
8		3/8" (2) komp	4	Rinv-90inv L700	Nos-rotator	Nose-rotator
9	W0301360808	Adapter	4	utv1/2"-utv1/2"	Lyft/vikcyl	Lift/jib
10	W4500000018	Tredo	4	1/2"	Lyft/vikcyl	Lift/Jib
11	W0301360808	Adapter	8	utv1/2"-utv1/2"	Ventil	Valve
12	W0301350608	Adapter	4	utv1/2"-utv3/8"	Ventil	Valve
13	W4500000018	Tredo	12	1/2"	Ventil	Valve
14	W0312600808	Skottg	2	1/2"	Plåt vipparm	Plate jib
15	W0312600606	Skottg	2	3/8"	Plåt vipparm	Plate jib
16	53900916	Rörh. /tube holder 2 bult	4	Tvilling/twin 16 mm	Nos	Nose
17	53917501	Täckplatta/ cover plate 2 bult	2	Tvilling/twin 16 mm	Nos	Nose

MOWI P41/P51 med lättviktspaket /with lightweight

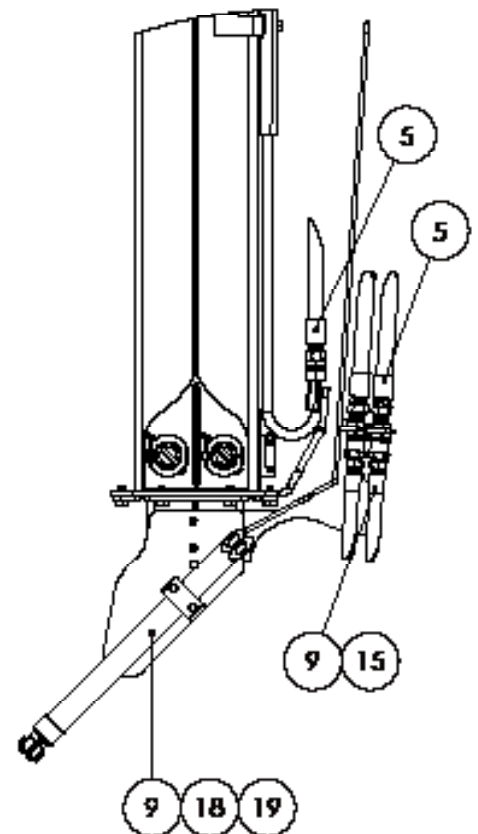
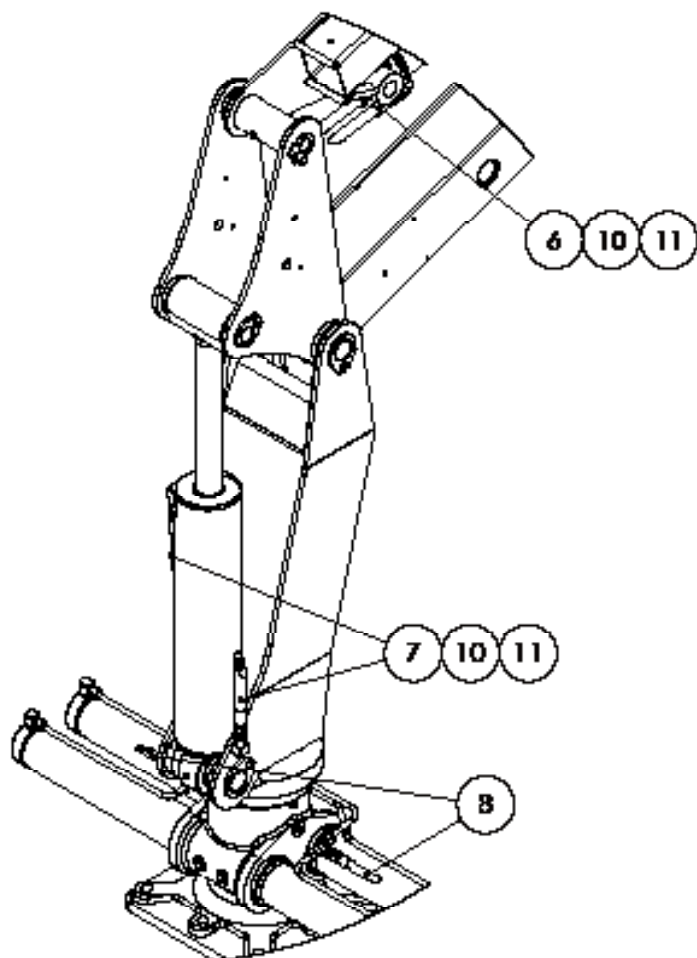
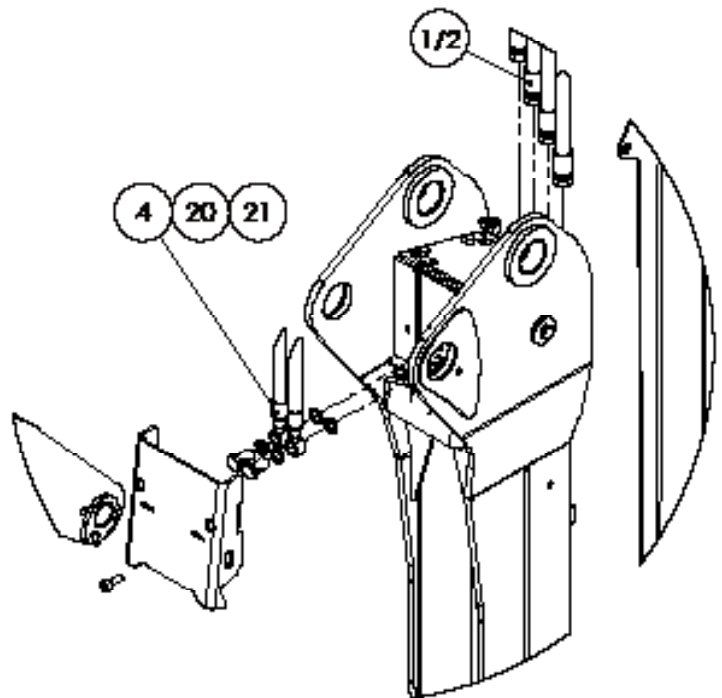
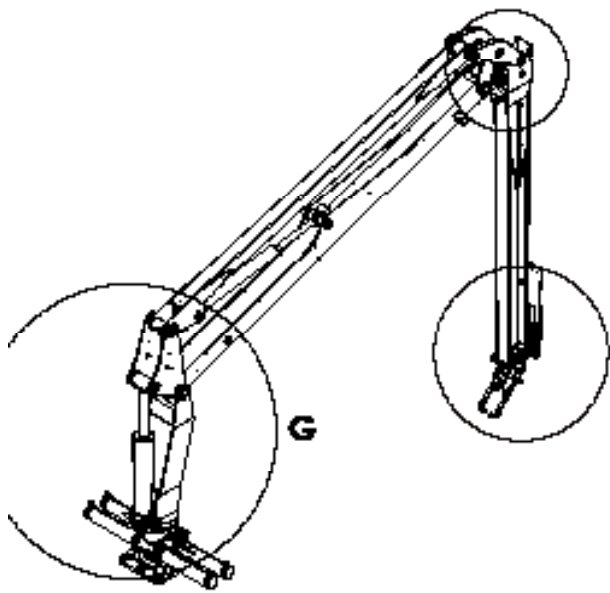
SM0333

Pos	Artikelnr. Article no.	Beskrivning/ Description	Ant. QTY.	Anmärkning Note	Position	Position
1	S4 70003	1/2" (2) komp	2	Rinv-Rinv L7000	Nos-ventil (grip)	Nose-valve (grapple)
2	S3 75003	3/8" (2) komp	2	Rinv-Rinv L7500	Nos-ventil (ro- tator)	Nose-valve (rotator)
3	S3 28003	1/2" (2) komp	2	Rinv-Rutv 3/8" L2800	Vipparm (rotator)	Jib arm (rotator)
4	S4 28003	3/8" (2) komp	2	Rinv-Rutv L2800	Vipparm (grip)	Jib arm (grap- ple)
5	S4 39003	1/2" (2) komp	2	Rinv-Rinv L3900	Vikcylinder- ventil	Jib cylinder- valve
6	S4 30003	1/2" (2) komp	2	Rinv-Rinv L3000	Lyftcylinder- ventil	Lift cylinder- valve
7	S3 30003	3/8" (2) komp	2	Rinv-90inv L3000	Vridmotor- ventil	Slew motor- valve
8	S3 7004	3/8" (2) komp	4	Rinv-90inv L700	Nos-rotator	Nose- rotator
9	W0301360808	Adapter	4	utv1/2"-utv1/2"	Lyft/Vikcyl	Lift/jib
10	W4500000018	Tredo	4	1/2"	Lyft/Vikcyl	Lift/Jib
11	W0301360808	Adapter	8	utv1/2"-utv1/2"	Ventil	Valve
12	W0301350608	Adapter	4	utv1/2"-utv3/8"	Ventil	Valve
13	W4500000018	Tredo	12	1/2"	Ventil	Valve
14	W0312600808	Skottg	2	1/2"	Plåt vipparm	Plate jib
15	W0312600606	Skottg	2	3/8"	Plåt vipparm	Plate jib
16	53900916	Rörh. /tube holder 2 bult	4	Tvilling/twin 16 mm	Nos	Nose
17	53917501	Täckplatta/ cover plate 2 bult	2	Tvilling/twin 16 mm	Nos	Nose

MOWI P41/P51 med flerspåk/ with multilever
SM0329

Pos	Artikelnr. Article no.	Beskrivning/ Description	Ant. QTY.	Anmärkning Note	Position	Position
1	S4 76003	1/2" (2) komp	2	Rinv-Rinv L7600	Nos-ventil (grip)	Nose-valve (grapple)
2	S3 76003	3/8" (2) komp	2	Rinv-Rinv L7600	Nos-ventil (ro- tator)	Nose-valve (rotator)
3	S3 28003	1/2" (2) komp	2	Rinv-Rutv 3/8" L2800	Vipparm (rotator)	Jib arm (rotator)
4	S4 28003	3/8" (2) komp	2	Rinv-Rutv L2800	Vipparm (grip)	Jib arm (grap- ple)
5	S4 39003	1/2" (2) komp	2	Rinv-Rinv L3900	Vikcylinder- ventil	Jib cylinder- valve
6	S4 30003	1/2" (2) komp	2	Rinv-Rinv L3000	Lyftcylinder- ventil	Lift cylinder- valve
7	S3 30003	3/8" (2) komp	2	Rinv-90inv L3000	Vridmotor- ventil	Slew motor- valve
8	S3 7004	3/8" (2) komp	4	Rinv-90inv L700	Nos- rotator	Nose- rotator
9	W0301360808	Adapter	4	utv1/2"-utv1/2"	Lyft/Vikcyl	Lift/jib
10	W4500000018	Tredo	4	1/2"	Lyft/Vikcyl	Lift/Jib
11	W0301360808	Adapter	8	utv1/2"-utv1/2"	Ventil	Valve
12	W0301350608	Adapter	4	utv1/2"-utv3/8"	Ventil	Valve
13	W4500000018	Tredo	12	1/2"	Ventil	Valve
14	W0312600808	Skottg	2	1/2"	Plåt vipparm	Plate jib
15	W0312600606	Skottg	2	3/8"	Plåt vipparm	Plate jib
16	53900916	Rörh. /tube holder 2 bult	4	Tvilling/twin 16 mm	Nos	Nose
17	53917501	Täckplatta/ cover plate 2 bult	2	Tvilling/twin 16 mm	Nos	Nose

P51T Hydraulik - Hydraulics



MOWI P51T med/with EHC/PCL
SM0375

Pos	Artikelnr. Article no.	Beskrivning/ Description	Ant. QTY.	Anmärkning Note	Position	Position
1		1/2" (2) komp	2	Rinv-Rutv SKL15 L7200	Nos-ventil (grip)	Nos- valve (grapple)
2		3/8" (2) komp	2	Rinv-Rutv SKL15 L7200	Nos-ventil (ro- tator)	Nose- valve (rotator)
3		1/2" (2) komp	2	Rinv-Rinv L5700	Block-ventil	Block-valve
4		3/8" (2) komp	2	Rinv-Banjo L1300	Block- teleskop	Block- telescope
5		1/2" (2) komp	4	Rinv-Rutv SKL15 L2240	Vipparm- teleskoparm	Jib arm- telesc. arm
6	S4 35003	1/2" (2) komp	2	Rinv-Rinv L3500	Vikcylinder- ventil	Jib cylinder- valve
7	S4 21003	1/2" (2) komp	2	Rinv-Rinv L2100	Lyftcylinder- ventil	Lift cylinder- valve
8	S3 12003	3/8" (2) komp	2	Rinv-90inv L1300	Vridmotor- ventil	Slew motor- valve
9		3/8" (2) komp	4	Rinv-90inv L1000	Nos-rotator	Nose-rotator
10	W0301360808	Adapter	4	utv1/2"-utv1/2"	Lyft/Vikcyl	Lift/jib
11	W4500000018	Tredo	4	1/2"	Lyft/Vikcyl	Lift/jib
12	W0301360808	Adapter	8	utv1/2"-utv1/2"	Ventil	Valve
13	W0301350608	Adapter	4	utv1/2"-utv3/8"	Ventil	Valve
14	W4500000018	Tredo	12	1/2"	Ventil	Valve
15	W0312600808	Skottg spec.	4	1/2"-3/8"	Plåt teleskoparm	Telescope
16	W779000020	Slanghållare 20 mm dubbel	2		Vipparm	Jib arm
17	W7792000003	Täckplatta 20 mm dubbel	1		Vipparm	Jib arm
18	53900916	Rörh. 2 bult tvillingsl 16 mm	4		Nos	Nose
19	53917501	Täckplatta 2 bult tvillingsl 16 mm	2		Nos	Nose
20		Banjobult 3/8"	2		Teleskop- cylinder	Tele. Cyl
21	W4500000016	Tredo	4	3/8"	Banjobult	Banjo
	KA1119	Hydraulblock	1		Hjälpbom	Support arm

MOWI P51T med flerspåk/ with multi lever

SM0374

Pos	Artikelnr. Article no.	Beskrivning/ Description	Ant. QTY.	Anmärkning Note	Position	Position
1		1/2" (2) komp	2	Rinv-Rutv SKL15 L7600	Nos-ventil (grip)	Nose- valve (grapple)
2		3/8" (2) komp	2	Rinv-Rutv SKL15 L7600	Nos-ventil (rotator)	Nose- valve (rotator)
3		1/2" (2) komp	2	Rinv-Rinv L6400	Block-ventil	Block-valve
4		3/8" (2) komp	2	Rinv-Banjo L1300	Block- teleskop	Block- telescope
5		1/2" (2) komp	4	Rinv-Rutv SKL15 L1940	Vipparm- teleskoparm	Jib arm- Telesc. arm
6	S4 35003	1/2" (2) komp	2	Rinv-Rinv L3900	Vikcylinder- ventil	Jib cylinder- valve
7	S4 21003	1/2" (2) komp	2	Rinv-Rinv L3000	Lyftcylinder- ventil	Lift cylinder- valve
8	S3 12003	3/8" (2) komp	2	Rinv-90inv L3000	Vridmotor- ventil	Slew motor- valve
9		3/8" (2) komp	4	Rinv-90inv L1000	Nos- Rotator	Nose- rotator
10	W0301360808	Adapter	4	utv1/2"-utv1/2"	Lyft/vikcyl	Lift/jib
11	W4500000018	Tredo	4	1/2"	Lyft/vikcyl	Lift/jib
12	W0301360808	Adapter	8	utv1/2"-utv1/2"	Ventil	Valve
13	W0301350608	Adapter	4	utv1/2"-utv3/8"	Ventil	Valve
14	W4500000018	Tredo	12	1/2"	Ventil	Valve
15	W0312600808	Skottg Spec.	4	1/2"-3/8"	Plåt teleskoparm	Telescope
16	W779000020	Slanghållare 20 mm dubbel	2		Vipparm	Jib arm
17	W7792000003	Täckplatta 20mm dubbel	1		Vipparm	Jib arm
18	53900916	Rörh. 2 bult tvillingsl 16 mm	4		Nos	Nose
19	53917501	Täckplatta 2 bult tvillingsl 16 mm	2		Nos	Nose
20		Banjobult 3/8"	2		Teleskop- cylinder	Telesc. cyl
21	W4500000016	Tredo	4	3/8"	Banjobult	Banjo
	KA1119	Hydraul block	1		Hjälpbom	Support arm

