

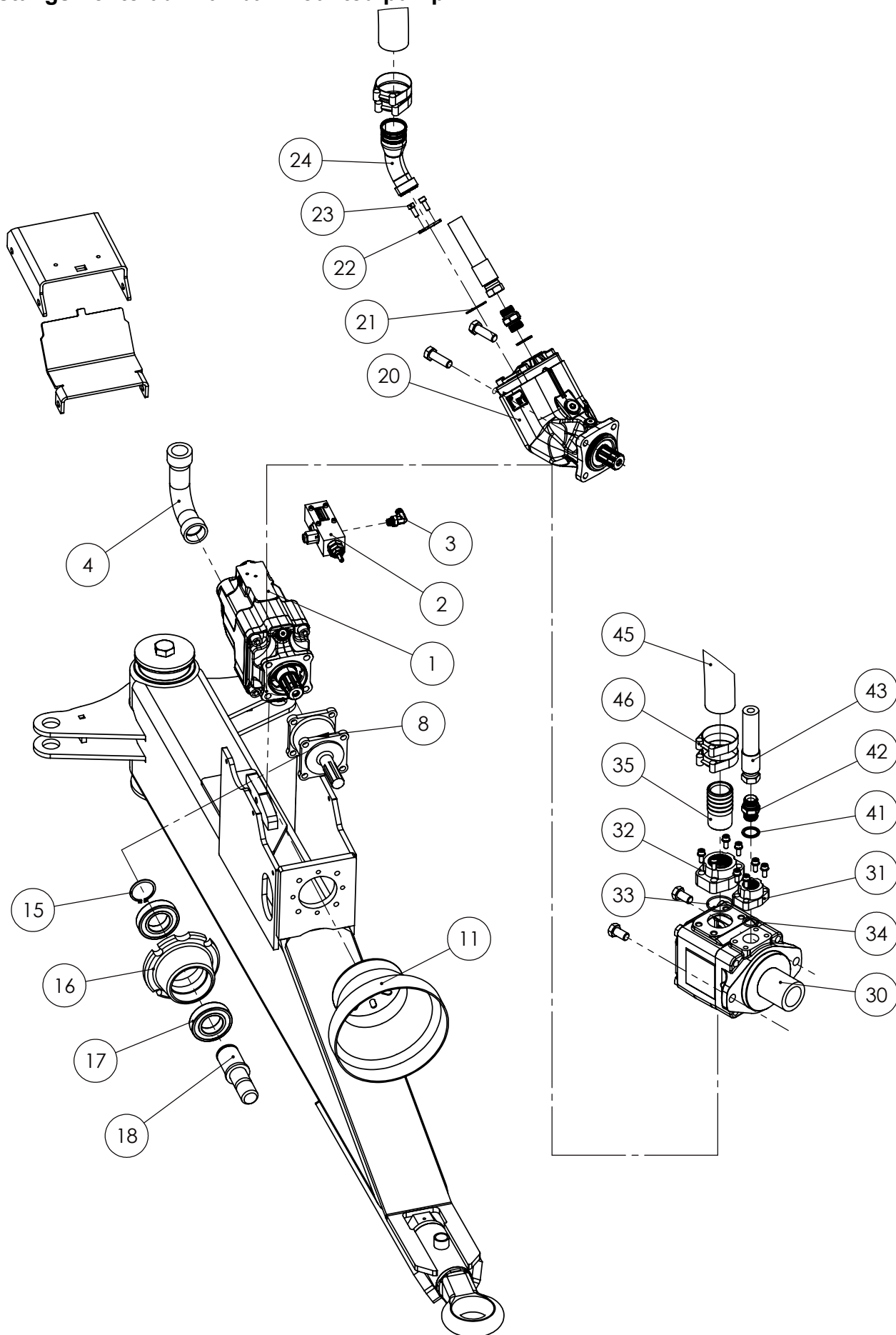
8

Reservdelar/Spare parts

Ange detaljnummer, maskintyp och serienummer vid beställning av reservdelar, för att leverans av rätt detalj ska kunna ske. Maskintyp och serienummer framgår av försäkran eller typskylt.

When ordering spare parts, please state type and serial number to ensure that the correct parts are supplied. Type and serial number can be found in the Declaration of Conformity or to the typesign.

Dragstångsmonterad/Drawbar mounted pump



Dragstångsmonterad/Drawbar mounted pump

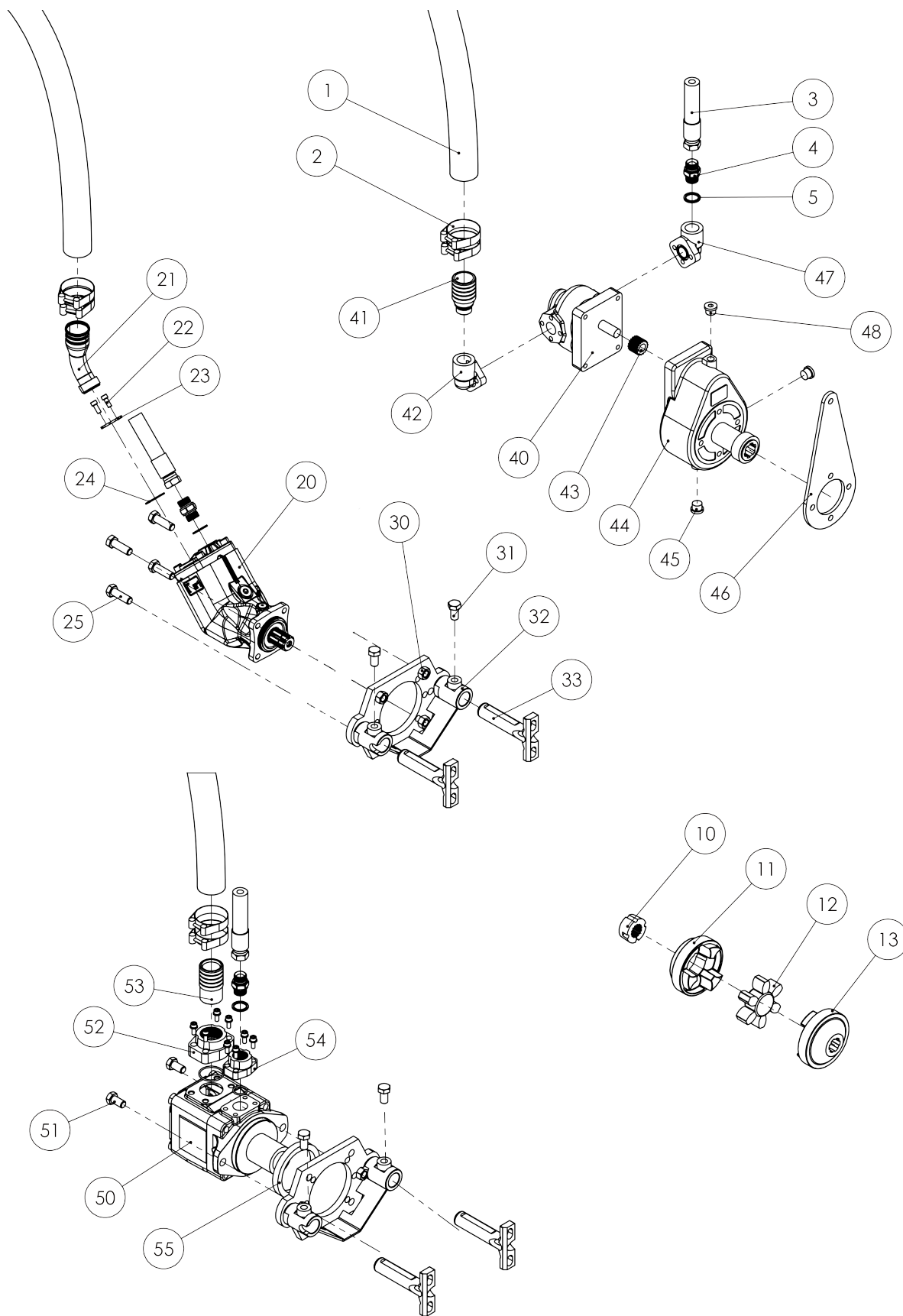
Pos	Art.Nr Item No	Benämning	Description	QTY	Anm Notes
1	KA1680	Pump	VP1	1	130 cc
2	KA2335	Regulator		1	VP1
3	W72040404	Adapter		1	1/4" -1/4"
4	KA1676	Anslutningsrör	Connection tube	1	145°
5	AA3780	Dragstång sv.fäste	Drawbar weld. Hold		VP1 – 14 ton
6	AA4958	Främre skydd	Front plate	1	
7	AA4957	Övre skydd	Top plate		
8		Stödlager	Support bearing	1	Bezares
9	KA1691	Skyddstratt	Funnle	1	
10	AA4206	Pumpfäste	Pumpholder	1	Wingpump
11	MÖ43006400	Skyddsplåt	Protectionplate	1	
12	XM6S 12 25	Skruv	Screw	13	M12
15	XSGA 45	Segersäkring	Circlip	1	
16	NB37375	Lagerbock	Bearing block	1	Ø158/80
17	X6209-2RS	Lager	Bearing	2	85/45/19
18	NB37373 AA8667	Axel T6DM/VP1 F1	Axis	1	6 splin 8 splin
41	W4500000023	Tredo		1	1"
42	W0301351216	Adapter		1	R3/4"-1" UF- UF
43		Tryckslang	Pressurehose	1	
45	W14380032	Sugslang	Suctionhose	1	2"
46	W2810651	Slangklämma	Hoseclamp	2	Ø65

Parker

20	KA1910 KA1911	Parker F1		1	81ccm 101ccm
21	822512	O-ring	O-ring	1	
22		Hållare	Holder	2	
23	XMP6SS 8 35	Insexskruv	Screw	2	M8 x 35
24	KA1912	Adapter	Adapter	1	45° 2"

Dension

30	NB32013 NB32016	Dension T6D		1	B35 B45
31	NB32037	Ansl. fläns tryck	Connection Flange	1	Pressure
32	NB32041	Sugslangfläns	Flange	1	Suction 2" 2"
33		O-ring		1	
34		O-ring		1	
35	NB35700	Adapter	suction	1	2" 1 1/2



Traktormonterad pump / Tractor mounted pump

Pos	Art.Nr Item No	Benämning	Description	QTY	Anm Notes
1	W14380032	Sugslang	Suctionhose	1	2"
2	W2810651	Slangklämma	Hoseclamp	2	Ø65
3		Tryckslang	Pressurehose		
4	W0301351216	Adapter			R3/4"-1" UF-UF
5	W4500000023	Tredo			1"

10	NB35981 NB35980 NB35984	Taperlock TL1610 14 TL 1610 15 TL 1610 8	For pump NB32013 &-16 NB32009 KA1910	1	SAE C 1 1/4 SAE B-B 1 SAE DIN 5462
11	NB35216	Koppling HRC 130 F	Coupling	1	
12	NB35215	Dämpelement HRC 130	Dampener	1	130 STD
13	NB35282 NB35283	Koppling 130 B 6 sp 130 B 21 Sp	Coupling	1	3/86 Sp 1 3/821s

30	XLÅSM16	Mutter	Nut	4	M16
31	XM6s 16 30	Skruv	Screw	2	M16 x 30
32	AB0149	Pumpfäste	Pumpholder	1	Only for F1 Pump
33	AA7260	Dockningstapp		2	Valtra N4

Parker

20	KA1910 Ka1911	Parker F1		1	81ccm 101ccm
21	KA1912	Adapter	Adapter	1	
22	XMP6SS 8 35	Insexskruv		2	M8 x 35
23		Hållare	Holder	2	
24	822512	O-ring	O-ring	1	
25	XM6S 16 50	Skruv	Screw	4	M16 x 50
26	AA5610	Adapter	Adapter		Not needed after summer 2022

Pos	Art.Nr Item No	Benämning	Description	QTY	Anm Notes
40	MD17460-6	Kugghjulspump	Cogpump	1	34,3cc 280bar
41	KA1912	Adapter	Adapter	1	45° 2"
42	MD17460-3	Ansl. fläns sugsida	Connection Flange	1	Suction
43	MD17460-5	Splinesk.	Spline	1	Grp3 35x31 Z=18
44	MD17460-1	Växel	Shifter	1	1:3, 8
45	W7012508010	VSTI plugg	VSTI plug	3	1/2"
46	NB35743	Säkringsplåt	Holderplate	1	8mm
47	MD17460-2	Ansl. fläns tryck	Connection Flange	1	Pressure

Dension

50	NB32013 NB32016	Dension T6D		1	B35 B45
51	M6S 16 30	Skruv	Screw	2	M16 x 30
52	NB32041	Sugslangfläns	Flange	1	Suction 2" 2"
53	NB35700	Adapter	Suction	1	2" 1 1/2
54	NB32037	Ansl. fläns tryck	Connection Flange	1	Pressure
50	NB32009	Dension T6C		1	B28
52	NB32039	Sugfläns	Flange	1	1 1/2"
53	NB35699	Sugslang	Suctionhose	1	2" 1 1/2"
54	NB32035	Ansl. fläns tryck	Connection Flange	1	Pressure 1"-3 R1
55	NB21272	Distansring	Spacer	1	T6CM
32	NB37113	Pumpfäste	Pump holder	1	Only for Den- sion