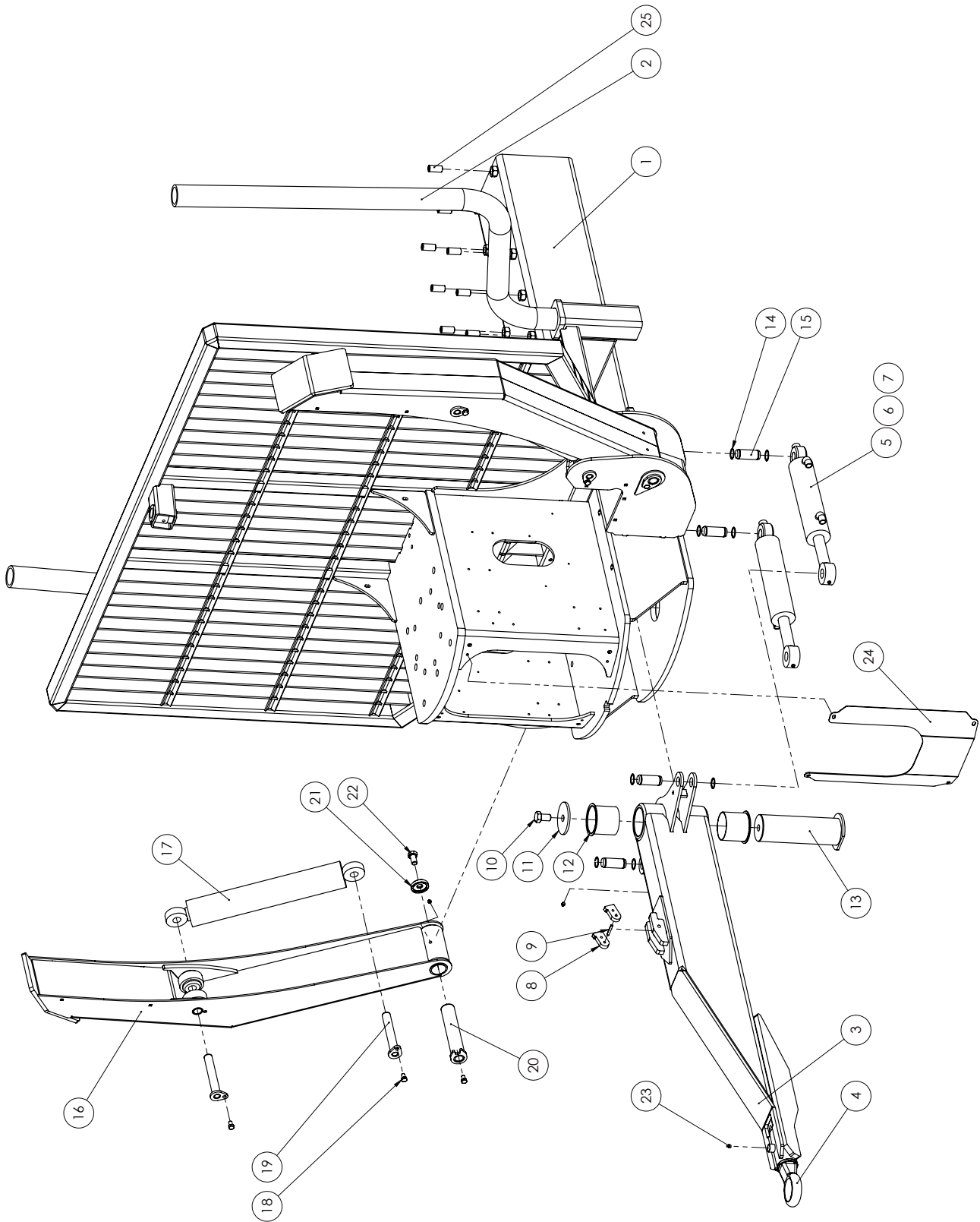


8**Reservdelar/Spare parts**

Ange detaljnummer, maskintyp och serienummer vid beställning av reservdelar, för att leverans av rätt detalj ska kunna ske. Maskintyp och serienummer framgår av försäkran eller typskylt.

When ordering spare parts, please state type and serial number to ensure that the correct parts are supplied. Type and serial number can be found in the Declaration of Conformity or to the typesign.



Framvagn

| Pos | Artikelnr Item No | Benämning | Description | Ant. Qty. | Anmärkning Notes |
|-----|----------------------|------------------|------------------------|--------------|---------------------|
| 1 | AA4087 | Framvagn | Chassie | 1 | Standard |
| | AA4088 | Framvagn lavett | Chassie Flap-down | 1 | |
| 2 | AA3887 | Stake | Pin | 1 | |
| 3 | AA3780 | Dragstång | Drawbar | 1 | |
| 4 | KA1437 | Dragögla | Eyelet | 1 | |
| 5 | AA3315 | Cylinder | Cylinder | 2 | |
| 6 | XTS 8040 | Tätningssats | Seal kit | 2 | |
| 7 | XGE35ES | Ledlänklager | Joint bearing | 4 | |
| 7 | SGH55 | Låsring | SGH ring | 8 | |
| 8 | AA3341 | Låskläpp | Steering-stop | 2 | |
| 9 | XFRP 8 80 | Rörstift | Roll pins | 1 | |
| 10 | XM6S 20x35 | Skruv | Screw | 1 | |
| 11 | AA3850 | Låsbricka | Washer | 1 | |
| 12 | XFBF10090 | Bussning | Bushing | 1 | |
| 13 | AA3847 | Axel | Shaft | 1 | |
| 14 | XSGA 35 | Spärring | Safety ring | 8 | |
| 15 | AA3465 | Axel | Shaft | 4 | |
| 16 | AA3819 | Lavettstödben | Flap-down leg | 2 | |
| 17 | NC35903 | Cylinder | Cylinder | 2 | |
| 17 | XGE30ES | Ledlänklager | Joint bearing | 4 | |
| 17 | SGH47 | Låsring | SGH ring | 8 | |
| 17 | XTS 95 | Tätningssats | Seal kit | 1 | |
| 18 | XM6S12 20 | Skruv | Screw | 6 | |
| 19 | AA3889 | Axel | Shaft | 4 | |
| 20 | AA3329 | Axel | Shaft | 2 | |
| 21 | XLÅSB 50 | Bricka | Washer | 2 | |
| 22 | XM6S20 35 | Skruv | Screw | 4 | |
| 23 | XSMNM10x1R | Smörjnippel | Grease nipple | 4 | |
| 24 | AA3809 | Ventilskyddsplåt | Protective plate valve | 1 | |
| 25 | XP6SS24 50 | Stoppsskruv | Screw | 20 | |

